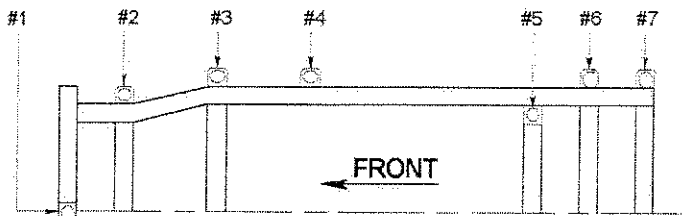


BODY MOUNT ASSEMBLY INSTRUCTIONS FOR KIT #1-112

- 1) NOTE ALL BODY MOUNT POSITIONS AND RESPECTIVE PARTS (MOUNT SIZE/TYPE, WASHERS, SPACERS, BOLTS, SHIMS, ETC.) BEFORE AND DURING DISASSEMBLY. YOU MAY HAVE TO REUSE CERTAIN FACTORY HARDWARE PIECES THAT ARE NOT INCLUDED IN KIT.
- 2) IF MOUNTING BOLTS AND NUTS ARE RUSTED, LIBERALLY SPRAY WITH PENETRATING OIL I.E. WD-40.
- 3) SUPPORT VEHICLE BODY PROPERLY BEFORE REMOVING MOUNTS. USE A 2"X4" PIECE OF WOOD 24" LONG (OR ANY OTHER SUITABLE SIZE) BETWEEN JACK AND BODY PANEL TO SPREAD THE WEIGHT LOAD OUT SO AS NOT TO DAMAGE THE BODY PANELS. IF NECESSARY, SUPPORT BODY IN SEVERAL AREAS.
- 4) LOOSEN ALL BOLTS AND NUTS BUT DO NOT REMOVE.
- 5) WORKING FROM ONLY ONE SIDE OF VEHICLE AT A TIME REMOVE MOUNTING BOLT AND NUT AND RAISE BODY ONLY HIGH ENOUGH TO REPLACE MOUNT, NEVER HIGHER. ALSO CHECK OTHER AREAS ON BODY AND FRAME (ESPECIALLY FAN SHROUD) TO AVOID ANY INTERFERENCE PROBLEMS WHEN RAISING BODY.
- 6) REPLACE MOUNTS ONE AT A TIME. A DIAGRAM HAS BEEN PROVIDED FOR INFORMATION AS TO WHICH MOUNTS, WASHERS, SLEEVES AND BOLTS TO USE FOR EACH POSITION. INSTALL BOLTS BUT DO NOT TIGHTEN UNTIL ALL MOUNTS HAVE BEEN REPLACED.
- 7) AFTER ALL MOUNTS HAVE BEEN REPLACED, ALIGN SUBFRAME TO BODY AND TORQUE BOLTS TO FACTORY SPECIFICATIONS.
- 8) AFTER DRIVING VEHICLE FOR ABOUT 1000 MILES OR OFF ROADING, RE-TORQUE BOLTS AGAIN. THIS IS TO INSURE THAT THE BOLTS HAVE NOT LOOSENED DUE TO INITIAL SETTLING THAT MAY TAKE PLACE.

MOUNTING POSITIONS

MOUNTING POSITIONS ARE NUMBERED STARTING WITH #1 FOR THE MOST FORWARD POSITION TOWARD THE FRONT OF THE VEHICLE AND RESPECTIVELY HIGHER NUMBERS TOWARD THE REAR OF THE VEHICLE.

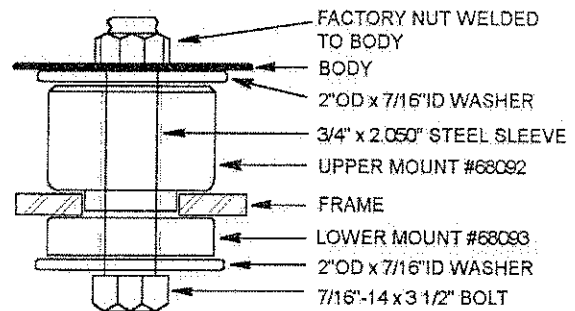


PARTS LIST FOR KIT #1-112

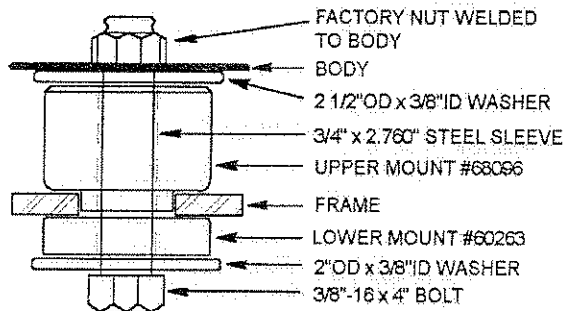
PART#	DESCRIPTION	QTY	POS.#
U-68092	UPPER BODY MOUNT	1	1
U-68093	LOWER BODY MOUNT	1	1
U-68096	UPPER BODY MOUNT	12	2,3,4,5,6&7
U-60263	LOWER BODY MOUNT	2	2
U-60254	LOWER BODY MOUNT	10	3,4,5,6&7
SLV-60846	3/4" x 2.050" STEEL SLEEVE	1	1
SLV-60540	3/4" x 2.760" STEEL SLEEVE	2	2
SLV-60847	3/4" x 2.270" STEEL SLEEVE	10	3,4,5,6&7
WASH-1158	2"OD x 7/16"ID WASHER	6	1,6*87*
WASH-1160	2 1/2"OD x 3/8"ID WASHER(TOP)	12	2,3,4,5,6&7
WASH-1157	2"OD x 3/8"ID WASHER(BOTTOM)	12	2,3,4,5,6&7
WASH-64	2 1/2"OD x 7/16"ID WASHER(TOP)	4	6*87*
BOLT-58	7/16"-14 x 3 1/2" BOLT	5	1,6*87*
BOLT-38	3/8"-16 x 3 1/4" BOLT	10	3,4,5,6&7
BOLT-1132	3/8"-16 x 4" BOLT	2	2

*POSITIONS #6 & #7 MAY USE 7/16"-14 x 3 1/2" BOLTS AND 7/16"ID WASHERS. NOTE THE SIZE OF FACTORY BOLTS TO DETERMINE WHICH NEW PROTHANE™ BOLTS AND WASHERS TO USE ON YOUR VEHICLE.

#1 POSITION BODY MOUNT



#2 POSITION BODY MOUNT



#3, #4, #5, #6 & #7 POSITIONS BODY MOUNT

