



Installation Instructions:
(Part# SB76521)
XRC Front Stinger
87-06 TJ/YJ Jeep Wranglers

NOTE: Carefully read entire instructions thoroughly before attempting to assemble and/or install this product. These steps are to be used in conjunction with vehicles equipped with O.E.M. front bumpers. Similar steps can be used with other after-market bumpers.

Parts Included	QTY.
91-5790 Stinger Front Bumper	1
90-6735 Hardware Pack:	1
1/2" USS Gr. 8 Flat Washer	2

Installation:

STEP 1: Remove the front plastic frame/stabilizer bar cover. (Fig A)

NOTE: The stabilizer cover will not be re-used.

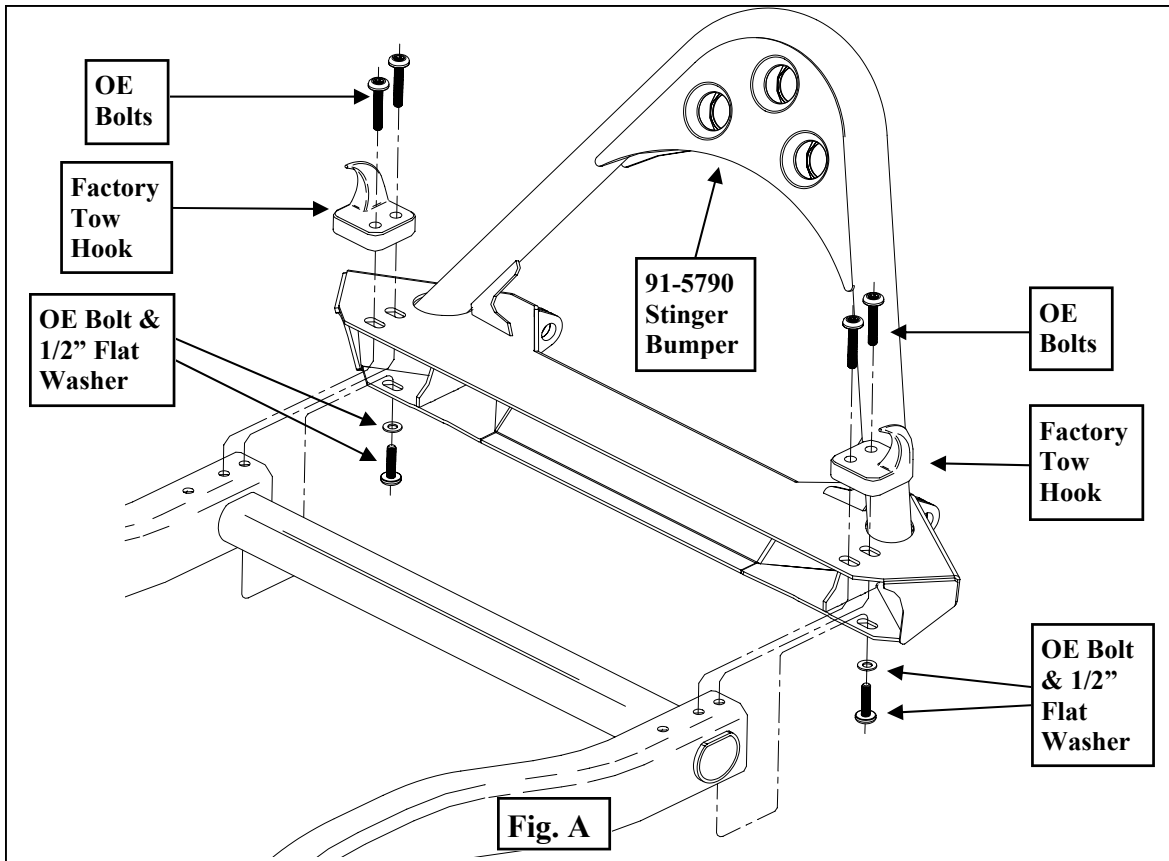
STEP 2: Remove front bumper hardware and tow hooks (if equipped). (Fig A)

STEP 3: Install the stinger bumper (91-5790) and tow hooks using the previously removed OE hardware and supplied 1/2" washers on the bottom mounting bolts. Torque the OE bolts to factory specifications. (Fig A)

NOTE: Minor grinding of the frame horns may be necessary on certain YJ model installations.

NOTE: If you are installing winch plate (SB2802) at this time, secure the front bumper using the supplied winch plate hardware.

STEP 4: Installation is now complete. Check to make sure all bolts are secure.





Installation Instructions:
(Part# SB76521)
XRC Front Stinger
87-06 TJ/YJ Jeep Wranglers

WARRANTY

Smittybilt (The Company) warrants to the original purchaser of this product that should the product or any part thereof, under normal use and conditions, be proven defective in material or workmanship within the warranty period of 90 DAYS from the date of purchase, such defect(s) will be repaired or replaced (At the Company's option) without charge for parts or labor. To obtain repair or replacement within the terms of the warranty, the product is to be delivered with proof of warranty coverage (e.g. dated bill of sale, receipt), specification of defect, freight prepaid with Returns Good Authorization Number from Smittybilt to place of purchase. Items returned to Smittybilt Automotive without an Returns Authorization Number will be refused and returned to sender at the senders expense.

This warranty does not apply to any product or part thereof which, in the opinion of the Company, has suffered or been damaged through alteration, improper installation, mishandling, misuse, neglect accident or acts of nature. **THE EXTENT OF THE COMPANY'S LIABILITY UNDER THIS WARRANTY IS LIMITED TO THE REPAIR OR REPLACEMENT PROVIDED ABOVE AND, IN NO EVENT, SHALL THE COMPANY'S LIABILITY EXCEED THE PURCHASE PRICE PAID BY THE PURCHASER FOR THIS PRODUCT.**

This warranty is in lieu of all expressed warranties and liabilities. ANY IMPLIED WARRANTIES, INCLUDING ANY IMPLIED WARRANTY OF MERCHANTABILITY SHALL BE LIMITED TO THE DURATION OF THIS WRITTEN WARRANTY. ANY ACTION FOR BREACH OF ANY WARRANTY HEREUNDER INCLUDING ANY IMPLIED WARRANTY OF MERCHANTABILITY MUST BE BROUGHT WITHIN A PERIOD OF 90 DAYS FROM DATE OF ORIGINAL PURCHASE. IN NO CASE SHALL THE COMPANY BE LIABLE FOR ANY CONSEQUENTIAL OR INCIDENTAL DAMAGES FOR BREACH OF THIS OR ANY OTHER WARRANTY, EXPRESSED OR IMPLIED, WHATSOEVER. No person or representative is authorized to assume for the company any liability other than expressed herein in connection with the sale of this product. Some states do not allow limitations on how long an implied warranty lasts or the exclusion or limitation of incidental or consequential damage, therefore above limitations may not apply to you. This warranty gives the purchaser specific legal rights. The purchaser may have additional rights, which vary from state to state.

Some states do not allow limitations on how long an implied warranty lasts or the exclusion or limitation of incidental or consequential damage, therefore above limitations may not apply to you. This warranty gives the purchaser specific legal rights. The purchaser may have additional rights, which vary from state to state.

For Technical Support/Warranty Information please call 310-762-9944

Smittybilt, 400 W. Artesia, Compton, CA 90220