

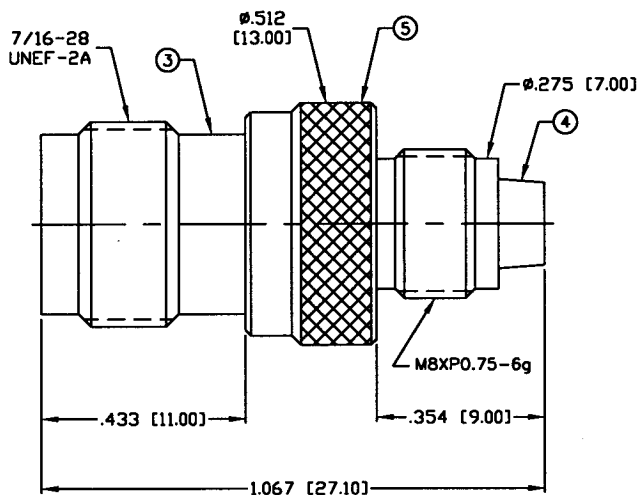
THIS DRAWING CONTAINS INFORMATION PROPRIETARY TO RF INDUSTRIES.  
 ANY UNAUTHORIZED USE OF THIS DRAWING IS EXPRESSLY PROHIBITED  
 WITHOUT WRITTEN PERMISSION FROM RF INDUSTRIES.  
 ANY VIOLATION IS PUNISHABLE UNDER U.S. COPYRIGHT LAWS.

ALL DIMENSIONS ARE REFERENCE ONLY

PART NO.

**RFT-1240**

REV	DESCRIPTION	DWN	DATE	APPROVED
A	ENGINEERING RELEASE	CJ	1/24/92	J. BENZ
B	GENERAL UPDATE	KMM	9/21/93	K.HARTMANN
C	ADD SECTION VIEWS / DIMENSIONS	KMM	12/8/93	C. JONES
D	CHANGE SPECS, DWG # E7269C & REMOVE P/N FROM CONN.	GGG	5/13/02	JDMc



**SPECIFICATIONS:**

IMPEDANCE: 50 Ohms  
 FREQUENCY RANGE: 0-1 GHz  
 WORKING VOLTAGE: 250 VRMS  
 INSULATION RESISTANCE: 5k M ohms min.  
 TEMPERATURE RANGE: -65°C TO 85°C

1	CONTACT	1	PHOS BRONZE	GOLD, 3μ*	008974	
2	INSULATOR	1	PTFE	----		
3	TNC BODY	1	BRASS	NICKEL, 100μ*		
4	INSULATOR	1	PTFE	----		
5	BODY	1	BRASS	NICKEL, 100μ*		
6						
7						
8						
9						
10						
11						
12						
13						
14						
#	DESCRIPTION	QTY	MATRL	FINISH	APPROVALS	DATE

DRAWN  
G. GALLEGOS  
 CHECKED *[Signature]*  
 ORJ DRAWN  
C. JONES

5/13/02  
5-13-02  
1/24/92

UNLESS OTHERWISE SPECIFIED:

1. REMOVE ALL BURRS
2. BREAK ALL CORNERS & EDGES .005 R. MAX.
3. CHAMFER 1ST & LAST THREADS 45°
4. SURFACE ROUGHNESS 63 FINISH MIL-STD-10
5. DIAMETERS ON COMMON CENTERS TO BE CONCENTRIC WITHIN .002 T.I.R.
6. ALL DIMENSIONS ARE AFTER PLATING.

DIMENSIONS ARE IN INCHES  
 AND [MILLIMETERS]

UNLESS OTHERWISE NOTED  
 TOLERANCES ARE:

DECIMALS	DIAMETER
.xxx±.003 [.08]	.xxx±.001 [.03]
.xx±.005 [.13]	.xx±.003 [.08]

**RFconnectors**  
 DIVISION OF RF INDUSTRIES, LTD.

7610 MIRAMAR RD  
 SAN DIEGO, CA 92126  
 (858) 549-6340  
 (858) 549-6345 FAX

**TNC JACK TO FME JACK**

(EURO NIPPLE), ADAPTOR

SIZE	CABLE GROUP	DWG NO.	REV
A	N/A	RFT-1240	D
SCALE: NTS		CAD FILE OUTLINE	SHEET 1 OF 1