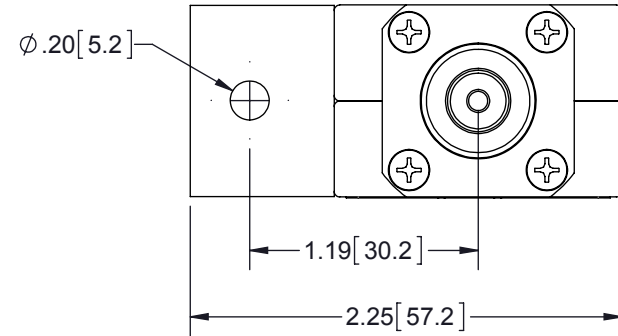


HARDWARE KIT INCLUDES:

QTY	DESCRIPTION
1	SCREW 10-32x.75 HEX MS 18-8 SS
2	WASHER 10 INT 4-10 SS
1	NUT 10-32 HEX 18-8 SS
1	NUT 5/8-24 303 HEX SS
1	WASHER 5/8 410 SS
1	O-RING 114 EPDM

REVISIONS				
REV.	DESCRIPTION	ECN	DATE	APPROVED
F	REFER TO ECN	13175	4/22/15	EJD



MAXIMUM CHARACTERISTICS

APPLICATION:

FOR TWO WAY RADIO AND SCADA APPLICATIONS
NON-WEATHERIZED, BULKHEAD MOUNT

SURGE:

20kA IEC 61000-4-5 8/20µs WAVEFORM

TURN-ON:

600Vdc ±20%

TURN-ON TIME:

2.5ns for 2kV/ns

FREQUENCY RANGE:

10MHz to 1GHz

VSWR:

≤ 1.1 to 1 OVER FREQUENCY RANGE

INSERTION LOSS:

≤ 0.1dB OVER FREQUENCY RANGE

MAX POWER:

1.5kW @ 10 to 50MHz

375W @ 50 to 220MHz

125W @ 220 to 700MHz

50W @ 700 to 1000MHz

THROUGHPUT ENERGY:

≤3.5mJ @ 3kA 8/20µs WAVEFORM

TEMPERATURE:

STORAGE: -55°C to +85°C

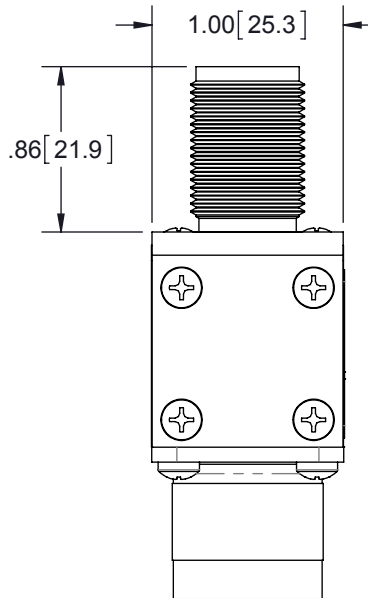
OPERATING: -50°C to +50°C

VIBRATION:

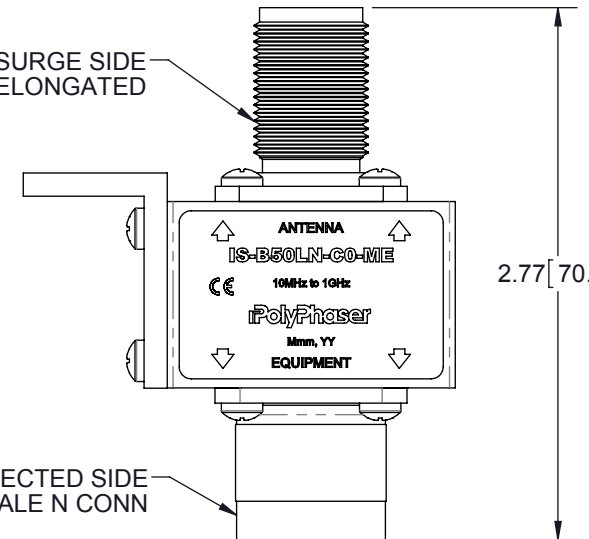
1G up to 100Hz

CE COMPLIANT

RoHS COMPLIANT



SURGE SIDE
FEMALE N CONN ELONGATED



CUSTOMER APPROVAL: _____ DATE: _____

ALL DIMENSIONS SHOWN ARE FOR REFERENCE ONLY.

<small>UNLESS OTHERWISE SPECIFIED LEADING DIMENSIONS ARE INCHES DIMENSIONS IN [] ARE MILLIMETERS</small> TOLERANCES: FRACTIONS=± 1/32 .XX=± .03 ANGLES=± 1° .XXX=± .010 NOTICE: THE INFORMATION AND DESIGN IN THIS DOCUMENT IS THE PROPERTY OF POLYPHASER CORPORATION. ALL RIGHTS RESERVED.	DRAWN J. CALLISTER ENG APPD O. AKDAG	DATE 3/4/96	SHEET 1 OF 1			
	PRODUCT MGR T. KULBIEDA	3/11/96	SCALE 1:1			
	MARKETING APPD R. MATHEUS	3/11/96	TITLE BROADBAND 10MHz TO 1GHz N FEM BLKH CUSTOMER SPECIFICATION			
	PROJECT NO.	DOCUMENT NAME IS-B50LN-C0-MEC	SIZE A	CAGE 30992	PROD CAT RFP	PART NUMBER IS-B50LN-C0-ME

THESE COMMODITIES, TECHNOLOGY OR SOFTWARE WERE EXPORTED FROM THE UNITED STATES IN ACCORDANCE WITH THE EXPORT ADMINISTRATION REGULATIONS. DIVERSION CONTRARY TO U.S. LAW PROHIBITED.