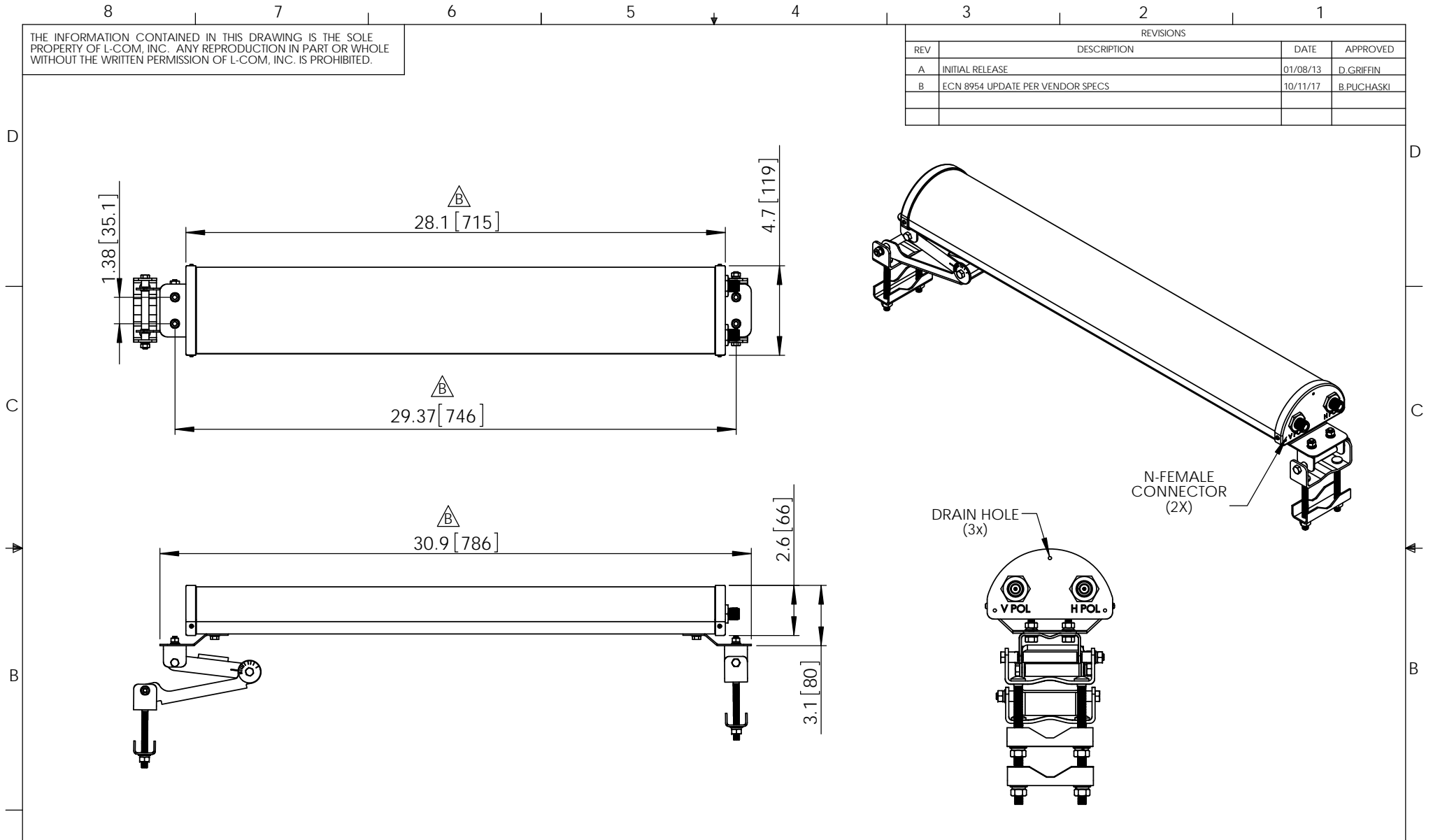


THE INFORMATION CONTAINED IN THIS DRAWING IS THE SOLE PROPERTY OF L-COM, INC. ANY REPRODUCTION IN PART OR WHOLE WITHOUT THE WRITTEN PERMISSION OF L-COM, INC. IS PROHIBITED.

REVISIONS			
REV	DESCRIPTION	DATE	APPROVED
A	INITIAL RELEASE	01/08/13	D.GRIFFIN
B	ECN 8954 UPDATE PER VENDOR SPECS	10/11/17	B.PUCHASKI



**NOTES:**  
 PACKAGING:  
 COMPONENT SHALL BE PACKAGED IN ACCORDANCE WITH L-COM SPEC PKG-00089.  
 - ALL DIMENSIONS FOR REFERENCE ONLY -  
**REGULATORY COMPLIANCE:**  
 CE2011/65/EU(RoHS DIRECTIVE)

UNLESS OTHERWISE SPECIFIED, DIMENSIONS ARE IN INCHES [mm]	APPROVALS	DATE	 50 HIGH STREET NORTH ANDOVER, MA 01845	
	DRAWN BY B.PUCHASKI	01/08/13		
DIMENSIONAL TOLERANCES: .X = ±.1 [2.54] .XX = ±.01 [.25] .XXX = ±.005 [.13]	CHECKED BY P.PESA	01/08/13	CATEGORY <b>ANTENNA</b>	
	APPROVED BY P.PESA	01/08/13	PRODUCT DESCRIPTION 3.5GHz 17dBi 90° DUAL POLARITY SECTOR ANTENNA W/N-FEMALE CONNECTORS	
ANGULAR TOLERANCES: ALL = ± 1°	CONFIGURATION DETAILS OF UNDIMENSIONED FEATURES MAY VARY		SIZE <b>A</b>	FSCM NO. <b>43321</b>
PROJECTION 	COLOR VARIATIONS MAY OCCUR	DWG. NO. <b>HG3517DP-090</b>	REV. <b>B</b>	SCALE: NONE
		CAD FILE: HG3517DP-090.SLDDRW	SHEET 1 OF 1	