

WB-TT24

Trapeze Kit, 24 in wide, three rungs

Product Classification

Product Type Trapeze kit

Dimensions

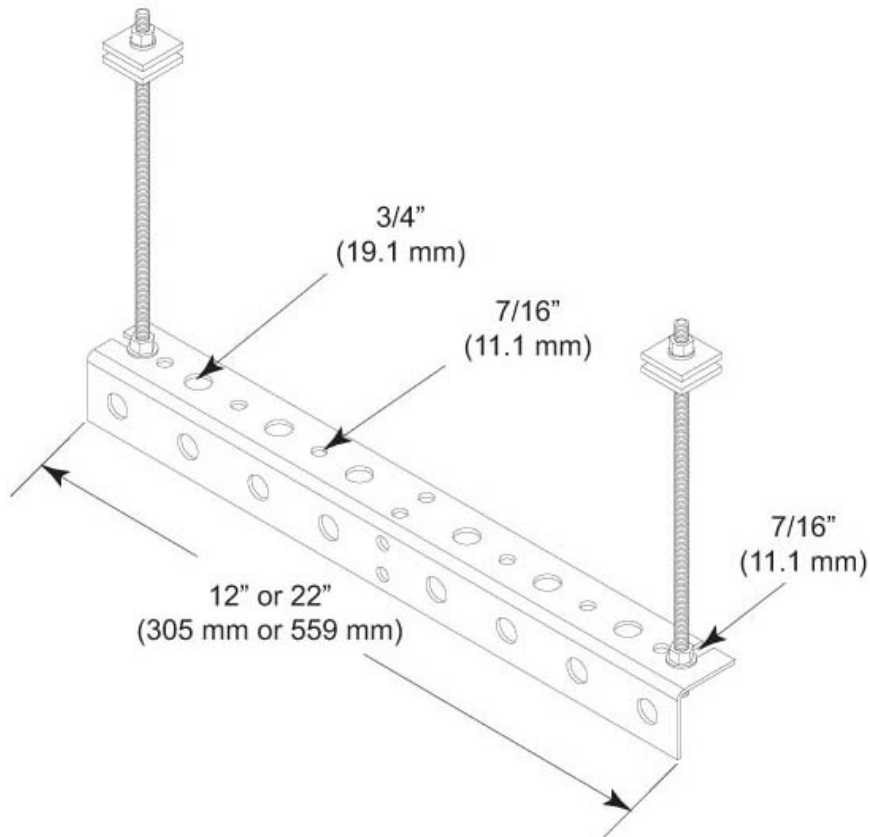
Width 609.6 mm | 24.0 in
Height 76.2 mm | 3.0 in
Length 76.2 mm | 3.0 in
Weight 5.1 kg | 11.2 lb

General Specifications

Application Waveguide bridge kit, 24 in
Cable Runs, quantity 18
Hole Size 3/4 in | 7/16 in
Hole, quantity 18
Includes Angle brackets | Hardware | Threaded rod
Material Type Hot dip galvanized steel
Mounting Waveguide bridge channel
Package Quantity 1
Rungs, quantity 3

WB-TT24

Outline Drawing



Regulatory Compliance/Certifications

Agency	Classification
ISO 9001:2008	Designed, manufactured and/or distributed under this quality management system