

RF Coaxial Attenuator

DC-6000 MHz, Male/Female

ventev®

Connect, Protect, and Enable™

Ventev's RF Attenuator is fixed attenuation value (3 dB to 30 dB) in-line resistive attenuator. It offers excellent attenuation accuracy and covers DC to 6 GHz of frequency range making it ideal in wide range of wireless applications.

Features & Benefits

- Wide band design covering DC to 6 GHz supporting public safety bands in VHF, UHF, 700/800 as well as 3G/4G LTE/5G networks
- Highly reliable design with improved attenuation accuracy and low VSWR
- Ideal for indoor DAS deployments
- Compact size and light weight



Electrical Specifications

MFG Part #	VEN-A0506-03-xMF VEN-A0506-05-xMF	VEN-A0506-06-xMF	VEN-A0506-08-xMF VEN-A0506-10-xMF	VEN-A0506-13-xMF VEN-A0506-15-xMF	VEN-A0506-20-xMF	VEN-A0506-30-xMF	
Operating Frequency Band	DC - 6000 MHz						
Attenuation	N-Type	±0.5	±0.5	±0.5	±0.6	±0.6	±0.8
Tolerance (dB)	4.3-10	±0.3	±0.3	±0.5	±0.6	±0.7	±0.8
VSWR	≤1.2						
Avg. Power / Peak Power (W)*	5 W @25°C / 500 W						
Impedance	50 Ohms						
Connectors	4.3-10 Male to 4.3-10 Female OR N-Male to N-Female (Follow SKU table)						

* Average power derated linearly to 1.5 W @ 95°C | Recommended torque for N-type Connector is 8 lbf in. and 4.3-10 is 44 lbf in.

Mechanical Specifications

Dimensions	N-Type: Ø 0.65 x 2.3 in. 4.3-10: Ø 1.0 x 1.9 in.
Product Weight	N-Type: 0.15 lb. 4.3-10: 0.13 lb.
Body & Color	Brass Body, Silver/White Brass Contact Pins, Tri-alloy Plated, PTE Connector Insulator

Environmental Specifications

Operating Temperature	-55 to 95°C
Operating Humidity	Up to 95%



All product specifications are subject to change without notice or obligation.

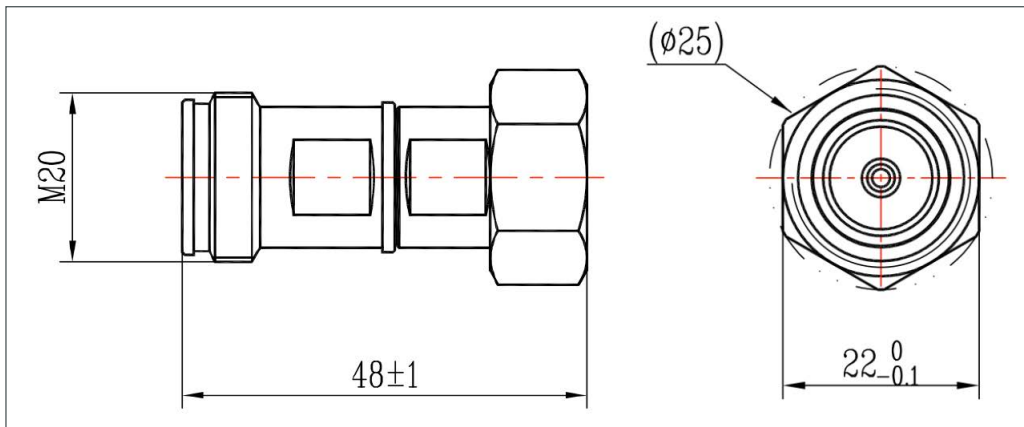
RF Coaxial Attenuator

DC-6000 MHz, Male/Female

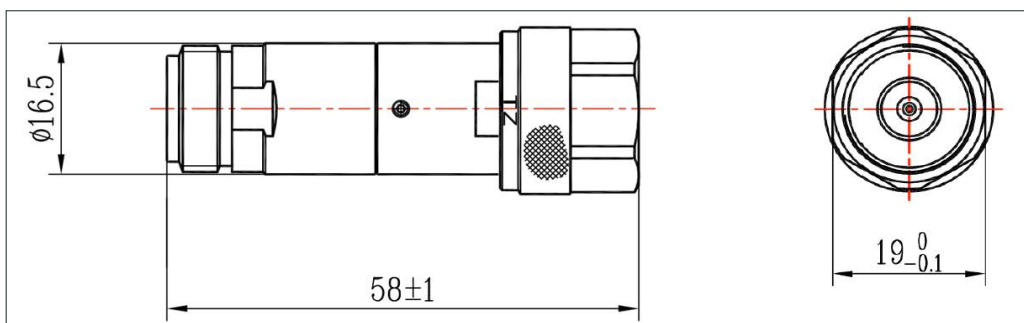
Products

Description	Attenuator with 4.3-10 Male to 4.3-10 Female Connector		Attenuator with N-type Male to N-type Female Connector	
	MFG Part #	SKU	MFG Part #	SKU
3 dB Attenuator	VEN-A0506-03-4MF	Contact Sales	VEN-A0506-03-NMF	288714
5 dB Attenuator	VEN-A0506-05-4MF	Contact Sales	VEN-A0506-05-NMF	264847
6 dB Attenuator	VEN-A0506-06-4MF	Contact Sales	VEN-A0506-06-NMF	281306
8 dB Attenuator	VEN-A0506-08-4MF	Contact Sales	VEN-A0506-08-NMF	259983
10 dB Attenuator	VEN-A0506-10-4MF	Contact Sales	VEN-A0506-10-NMF	230412
13 dB Attenuator	VEN-A0506-13-4MF	Contact Sales	VEN-A0506-13-NMF	265235
15 dB Attenuator	VEN-A0506-15-4MF	Contact Sales	VEN-A0506-15-NMF	282600
20 dB Attenuator	VEN-A0506-20-4MF	Contact Sales	VEN-A0506-20-NMF	255510
30 dB Attenuator	VEN-A0506-30-4MF	Contact Sales	VEN-A0506-30-NMF	294203

4.3-10 Male to 4.3-10 Female Connector



N-type Male to N-type Female Connector



All product specifications are subject to change without notice or obligation.