

Single-Axis Co-Locating Mount for Meraki APs and Wi-Fi Antennas



Ventev's Single-Axis Co-Locating Mount for Meraki access points (APs) and antennas simplifies deployments, improves network performance, and presents an aesthetically pleasing appearance.

Every Ventev mount is RoHS compliant and is covered by Ventev's two-year TerraNet warranty program.

For more information or to purchase, contact Ventev: 800.851.4965 or sales@ventev.com.

SPECIFICATIONS

SKU: 294263

Product Number: TW-COLOMOUNT-MER

Dimensions: 15" X 10.07" X 5.41"

Weight: 2.5 lbs

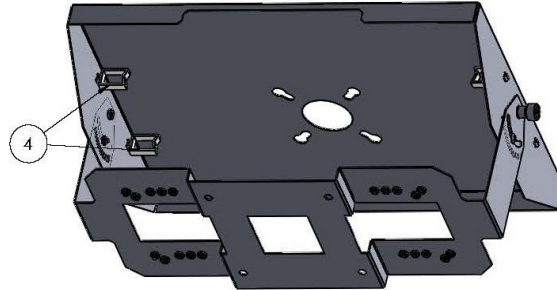
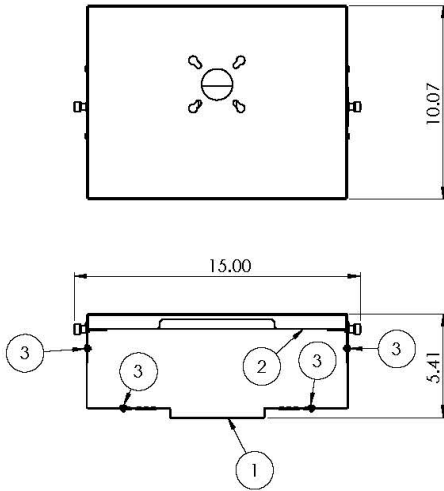
Materials: Powder-Coated Aluminum

Compatible Ventev Antennas
544625, 273329
Compatible Meraki Antennas
MA-ANT-3-C5, MA-ANT-3-C6, MA-ANT-3-E5, MA-ANT-3-E6, MA-ANT-3-F5, MA-ANT-3-F6

FEATURES AND BENEFITS

- Installs AP and antenna together, making it an ideal choice for difficult locations, such as high ceilings
- Antenna mounting tray articulates +/-45 degrees for precise beam positioning
- Conceals the AP and cables
- Ideal for Auditoriums, Convention Centers, Aisles in Industrial Venues

Single-Axis Co-Locating Mount for Meraki APs and Wi-Fi Antennas



ITEM NO.	DESCRIPTION	QUANTITY
1	Meraki Co-Lo Base PEM Assy	1
2	Antenna Tray PEM Assy	1
3	#6-32 Truss Head Screw	6
4	Holder, Cable, Push-In Mount for Max 5/8" Diameter Wire Bundle	4