

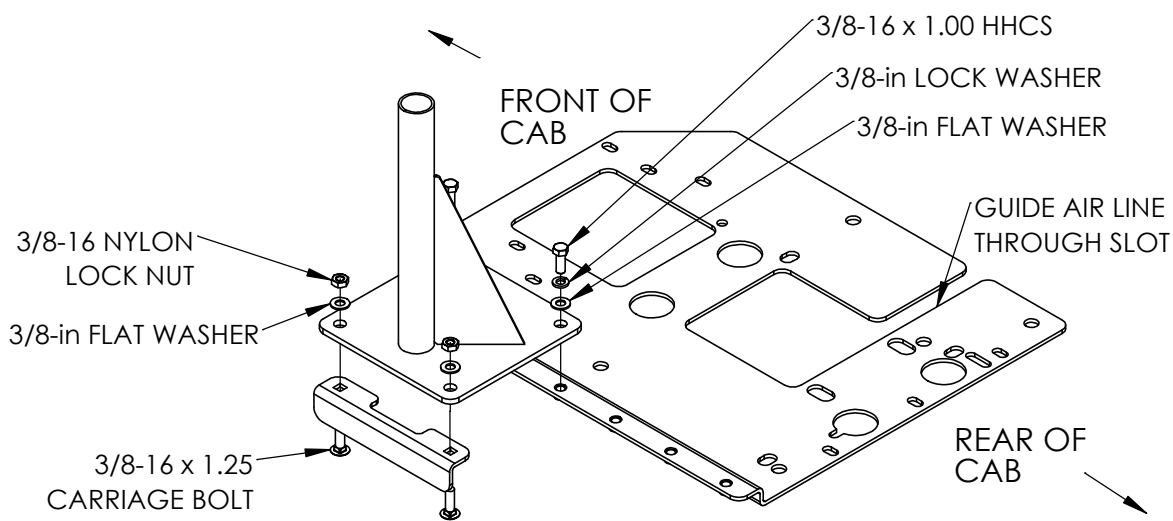
INSTALLATION INSTRUCTIONS

<u>Product</u>	<u>Revision</u>	<u>Form</u>
7160-0198 SEMI-TRUCK/CLASS 8 VEHICLE BASE INTERNATIONAL (2005+) & (2002 & older) FREIGHTLINER (2005+) PETERBILT (2005+) KENWORTH (2005+) VOLVO (2005+) MACK (2005+) STERLING (2005+) WESTERN STAR DAY CAB (2005+)	Rev.E	INST-436
		Printing Spec: PS-001

The class 8 vehicle base will allow a user to mount a DS-52 base as a no-drill solution. This base will mount to the passenger side seat, Four positions of the DS-52 and four positions on the base provide the user with 16 different mounting positions.

Mounting the Base:

1. Remove and set aside the fasteners securing the passenger seat to the cab of the truck.
2. Remove and set aside the fasteners securing the seat belt strap from the side of the seat.
3. Slide only the base plate under the seat. Guiding the air line, if present, through the slot in the base plate.
4. Align the appropriate holes in the plate and seat with the holes in the cab of the truck. See sheet 2 for the appropriate holes.
5. Secure the seat belt strap to the seat.
6. Secure the seat to the cab of the truck.



Product Mounting Disclaimer

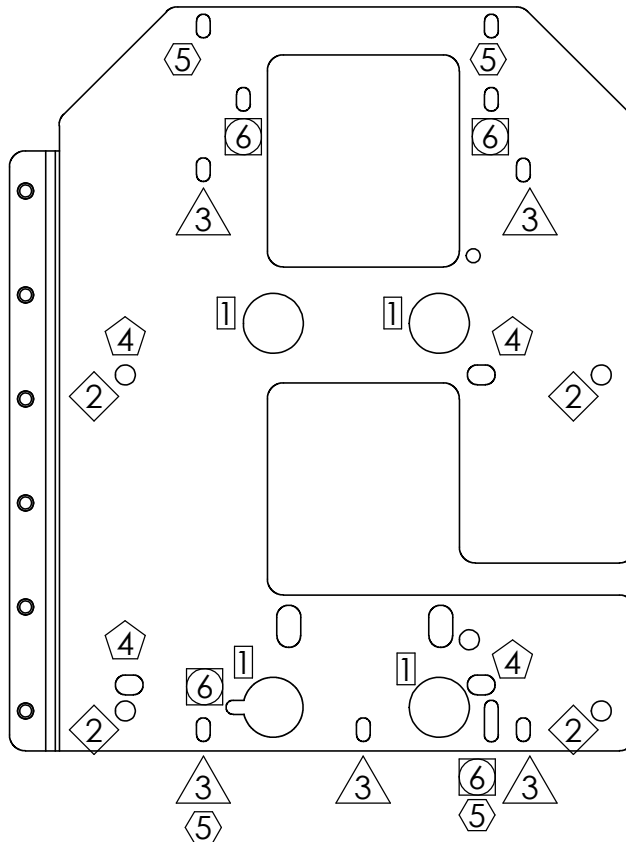
Gamber-Johnson is not liable under any theory of contract or tort law for any loss, damage, personal injury, special, incidental or consequential damages for personal injury or other damage of any nature arising directly or indirectly as a result of the improper installation or use of its products in vehicle or any other application. In order to safely install and use Gamber-Johnson products full consideration of vehicle occupants, vehicle systems (i.e., the location of fuel lines, brakes lines, electrical, drive train or other systems), air-bags and other safety equipment is required. Gamber-Johnson specifically disclaims any responsibility for the improper use or installation of its products not consistent with the original vehicle manufactures specifications and recommendations, Gamber-Johnson product instruction sheets, or workmanship standards as endorsed through the Gamber-Johnson Certified Installer Program.

© Copyright 2017 Gamber-Johnson, LLC

Mounting the DS-52:

1. Secure the small foot bracket to the DS-52 using the supplied (2) 3/8-16 x 1.25-in carriage bolts, (2) 3/8-in flat washers and (2) 3/8-in nylon lock nuts.
2. Position the DS-52 assembly over the preferred holes in the base plate.
3. Secure the DS-52 assembly to the base using the supplied (2) 3/8-in flat washers, (2) 3/8-in lock washers and (2) 3/8-16 x 1.00-in hex head cap screws.

Class 8 Vehicle OEM	Hole Pattern
Freightliner	1
International (2005+)	2
International (up to 2002)	4
Kenworth	1 & 5 & 6
Peterbilt	1 & 5
Mack	1
Volvo	3
Western Star	1



Product Mounting Disclaimer

Gamber-Johnson is not liable under any theory of contract or tort law for any loss, damage, personal injury, special, incidental or consequential damages for personal injury or other damage of any nature arising directly or indirectly as a result of the improper installation or use of its products in vehicle or any other application. In order to safely install and use Gamber-Johnson products full consideration of vehicle occupants, vehicle systems (i.e., the location of fuel lines, brakes lines, electrical, drive train or other systems), air-bags and other safety equipment is required. Gamber-Johnson specifically disclaims any responsibility for the improper use or installation of its products not consistent with the original vehicle manufactures specifications and recommendations, Gamber-Johnson product instruction sheets, or workmanship standards as endorsed through the Gamber-Johnson Certified Installer Program.

© Copyright 2017 Gamber-Johnson, LLC

If you need assistance or have questions, call Gamber-Johnson at 1-800-456-6868



Very Well Connected™

WARNING

- You must read and follow all of these installation instructions. Failure to follow all of these installation instructions may result in serious bodily injury or death.
- Keep these installation instructions with the product and readily available in the vehicle for future reference of other users of the product. Additional copies of the installation instructions can be obtained from Gamber Johnson.
- If you need assistance or have any questions, call Gamber-Johnson at 1-800-456-6868.
- Do not remove warning label from product under any circumstances.
- Before installation of any equipment always check area for routing of wires / cables and if drilling is required, check the area above and below the drilling area.
- High speed vehicle turns may cause a motion attachment product to swivel, interfering with the driver or other equipment.
- The Vehicle Base, Upper Pole, Motion Attachment and Dock or Cradle should not be positioned in the area where the airbag will be deployed if it is activated. DO NOT position the equipment in front of an airbag. Equipment positioned in front of an airbag can cause serious injury or death if an airbag is activated, such as in an accident.
- The installer and user of this product(s) are responsible for installing and using Upper Pole, Motion Attachment and Dock or Cradle assemblies outside the airbag deployment zone. (See Product Mounting Disclaimer Below)
- If installation of the equipment requires that the equipment be placed in front of an airbag, deactivate the airbag in the vehicle so it cannot be activated in an accident. In order to secure permission for deactivating the airbag in these circumstances, contact the National Highway Traffic Safety Administration at 1-800-424-9393 to gain permission to do so. If you have any questions or need assistance, call Gamber Johnson at 1-800-456-6868.

Product Mounting Disclaimer

Gamber-Johnson is not liable under any theory of contract or tort law for any loss, damage, personal injury, special, incidental or consequential damages for personal injury or other damage of any nature arising directly or indirectly as a result of the improper installation or use of its products in vehicle or any other application. In order to safely install and use Gamber-Johnson products full consideration of vehicle occupants, vehicle systems (i.e., the location of fuel lines, brakes lines, electrical, drive train or other systems), air-bags and other safety equipment is required. Gamber-Johnson specifically disclaims any responsibility for the improper use or installation of its products not consistent with the original vehicle manufactures specifications and recommendations, Gamber-Johnson product instruction sheets, or workmanship standards as endorsed through the Gamber-Johnson Certified Installer Program.

© Copyright 2017 Gamber-Johnson, LLC

If you need assistance or have questions, call Gamber-Johnson at 1-800-456-6868

3/3