

REVISIONS				
REV.	DESCRIPTION	ECN	DATE	APPROVED
B	REFER TO ECN	13066	01/07/15	KAD

### MAXIMUM CHARACTERISTICS

#### Application:

The DRDC Series Din-Rail surge suppressors are modular, high-speed, high-current, solid-state devices designed to protect electronic equipment and systems from transient overvoltages. The suppressor limits the magnitude of transient overvoltages that may occur on low voltage DC power lines, 4-20mA current loops or low frequency data lines. Data lines that benefit from DRDC suppression include: Ethernet, RS-485/232, Profibus, Foundation Fieldbus, DH+ or DeviceNet.

The DRDC Series surge suppressors utilize only silicon avalanche suppression diodes (SASD). The suppressor provides continuous, bipolar protection and automatically resets after a surge event with no degradation to its protection capabilities.

The suppressor includes a removable module with a base that mounts on a standard 35mm DIN (EN5022) rail. The suppressor size and form factor allows for convenient replacement of existing terminal blocks. The suppressor connects in a series (pass-through) configuration, the screw terminals accept two wire pairs (28 - 12AWG), and the device is rated for up to 10A of continuous current. Note: The DRDC surge suppressor REQUIRES that the DIN rail have a low impedance path to Earth ground.

The DRDC Series suppressors are approved for hazardous locations that require a rating of **Class1 Division 2, Groups A, B, C, D.**

#### Electrical Service:

**Input/Output Connection:** 28-12AWG Screw Terminal

**Configuration:** 2 pair / 4 wire

**Protection Modes:** L-G

**Pass-Through Current (Max.):** 10A

**Maximum Continuous Operating Voltage:** 32Vdc

#### Electrical Performance:

**Response Time:** 5ns (Max)

**Voltage Protection level:**

**Maximum Vpl Tested to IEEE/ANSI C62.41 10/1000µs Long Wave:** 50Vpk @ 134A

**Maximum Vpl Tested to IEEE/ANSI C62.41 8/20µs Combination Wave:** 60Vpk @ 1200A

#### Certifications:

UL 497B

Hazardous Locations: FM Approvals Class I Division 2 US, Canada and EU

#### Mechanical:

**Dimensions:** 100mm H x 12.5mm W x 100mm L

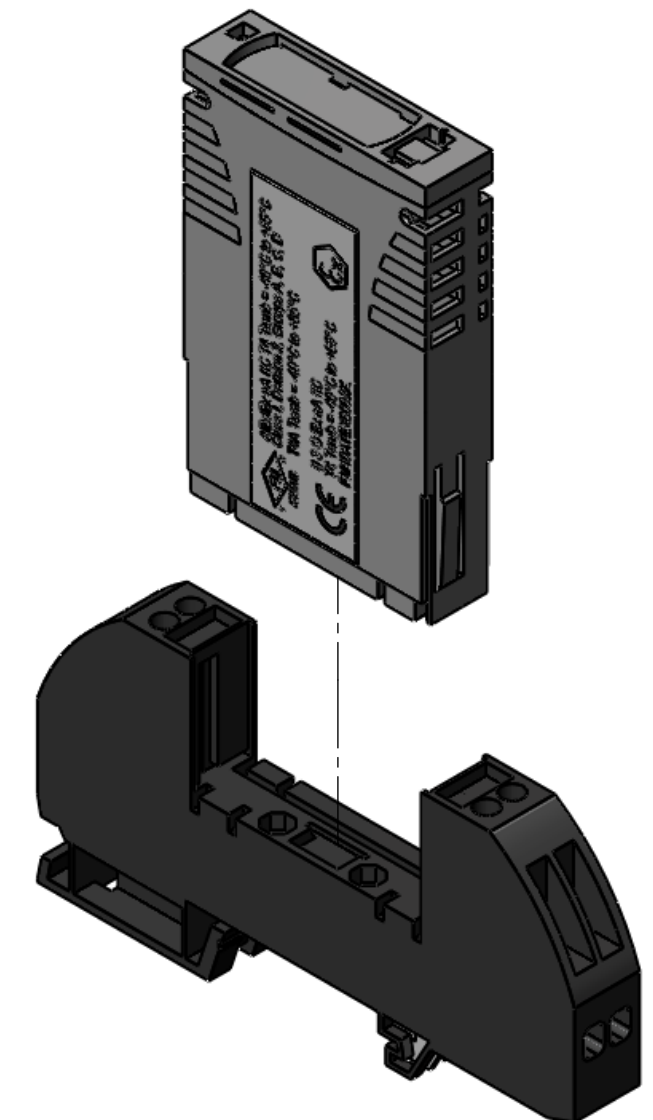
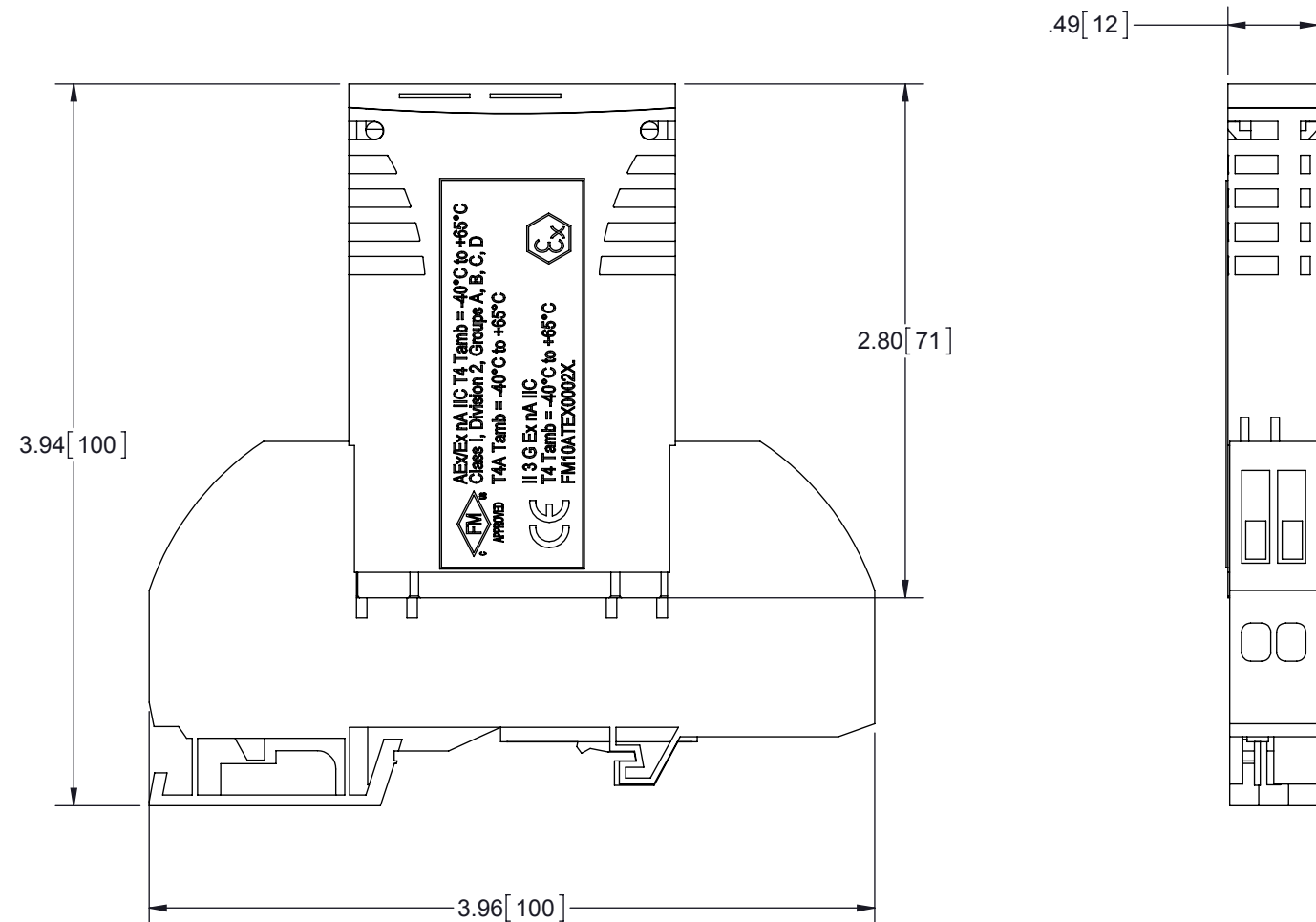
**Weight (Max):** 2 Oz.

#### Environmental:

**Storage/Operating temperature:** -40°C to +65°C

**Relative Humidity:** 95%

**NOTE:** Din-Rail must be connected to a solid earth ground for proper suppressor operation.



ALL DIMENSIONS SHOWN ARE FOR REFERENCE ONLY.

THESE COMMODITIES, TECHNOLOGY OR SOFTWARE WERE EXPORTED FROM THE UNITED STATES IN ACCORDANCE WITH THE EXPORT ADMINISTRATION REGULATIONS. DIVERSION CONTRARY TO U.S. LAW PROHIBITED.

UNLESS OTHERWISE SPECIFIED LEADING DIMENSIONS ARE INCHES DIMENSIONS IN [ ] ARE MILLIMETERS		DRAWN <b>DPM</b> DATE 7/16/13			
TOLERANCES: FRACTIONS=± 1/32 .XX=± .01 ANGLES=± 1° .XXX=± .005		ENG APPD <b>DWR</b> 7/18/13			
MATERIAL NOTED		PRODUCT MGR <b>MLH</b> 8/15/13			
THIRD-ANGLE PROJECTION 		MARKETING APPD <b>LJ</b> 8/15/13			
PROJECT NO.		TITLE <b>CUSTOMER PRINT DRDC 24</b> CUSTOMER SPECIFICATION		REV <b>B</b>	
NOTICE: THE INFORMATION AND DESIGN IN THIS DOCUMENT IS THE PROPERTY OF TRANSTECTOR SYSTEMS. ALL RIGHTS RESERVED.		SIZE <b>B</b>	CAGE <b>30992</b>	PART NUMBER <b>1101-680</b>	SCALE <b>1:1</b>
		PROD CAT <b>DCT</b>	DOCUMENT NAME <b>1101-680-C</b>	SHEET <b>1</b>	OF <b>1</b>