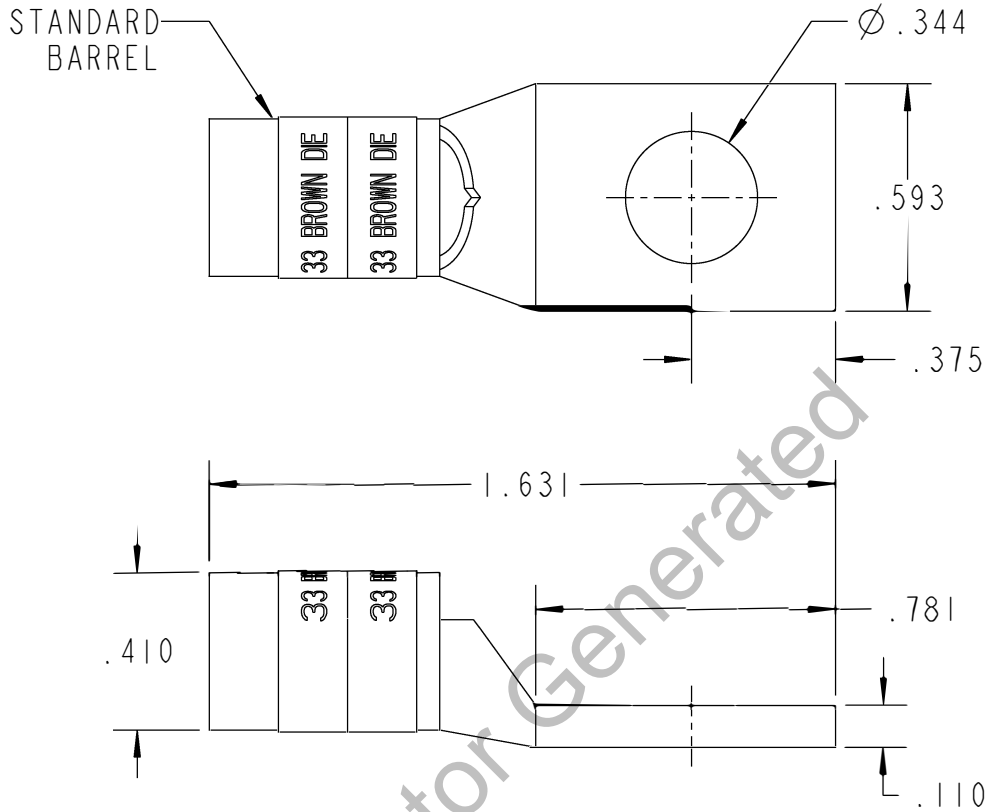
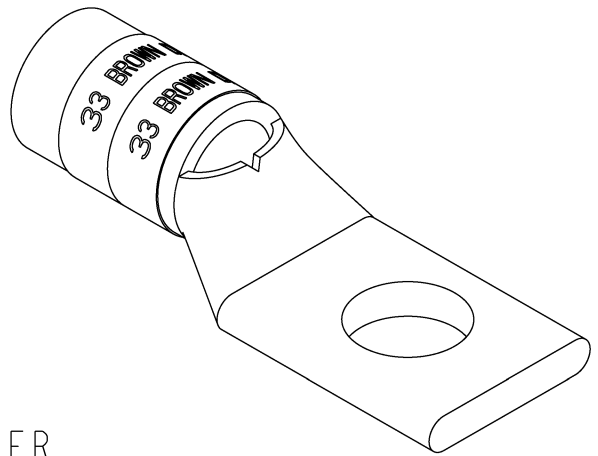


Color-Keyed[®]

CATALOG NO. 54142-TB



Configurator Generated



WIRE SIZE: #2 AWG
 MATERIAL: HIGH CONDUCTIVITY COPPER
 FINISH: TIN PLATED

GENERAL NOTES		Thomas & Betts <small>www.tnb.com</small>													
1. ALL DIMENSIONS ARE FOR REFERENCE ONLY. 2. DIMENSIONS IN BRACKETS [] ARE IN METRIC UNITS.						DESCRIPTION: 1 HOLE LUG									
REVISIONS		<table border="1" style="width: 100%; border-collapse: collapse;"> <tr> <td style="width: 25%;">ORIGINAL PROJECT NO / (ERN NO)</td> <td style="width: 15%;">SHEET NO:</td> <td style="width: 15%;">REV. NO:</td> <td colspan="2" style="width: 45%;">DRAWING NO: WSD-002005</td> </tr> <tr> <td style="text-align: center;">/ ()</td> <td style="text-align: center;">1 OF 1</td> <td style="text-align: center;">0</td> <td colspan="2" style="text-align: center;">54142-TB</td> </tr> </table>								ORIGINAL PROJECT NO / (ERN NO)	SHEET NO:	REV. NO:	DRAWING NO: WSD-002005		/ ()
ORIGINAL PROJECT NO / (ERN NO)	SHEET NO:					REV. NO:	DRAWING NO: WSD-002005								
/ ()	1 OF 1	0	54142-TB												
** SEE ERN (****) FOR APPROVAL SIGNATURES & RELEASE DATE. PROJECT NO: ****															