



Very Well Connected™

INSTALLATION INSTRUCTIONS

Product

DS-138

Vertical Surface Base, Small

Revision

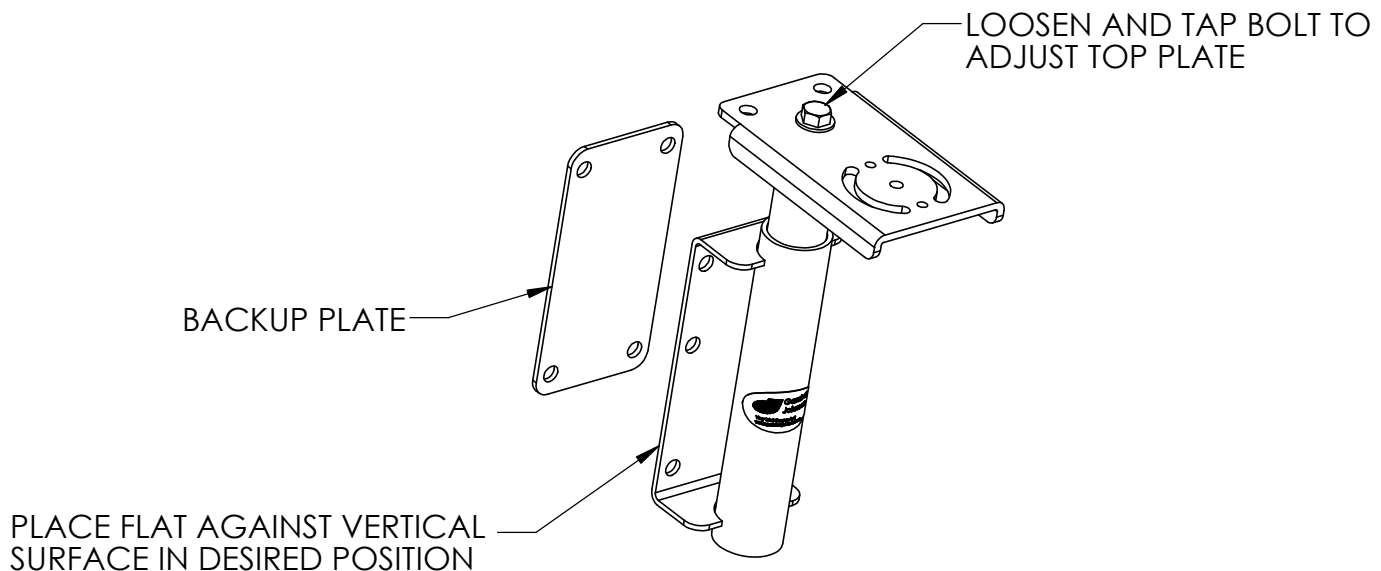
Rev.A

Form

INST-296

Printing Spec: PS-001

1. Place the base in the desired location on the vertical surface. Clamp in place if possible. Loosen the bolt at the top and tap it to release the upper plate assembly. Test the vertical adjustment range to be sure it is correct, and move the entire base up or down if necessary.
2. Mark the hole locations and drill 17/32" holes, using care not to damage any equipment behind the panel. Use machine bolts and nuts of the largest size that will fit the holes in the base. **Do not use lag screws or sheet metal screws as these can pull out of the mounting surface.**
3. Place bolts through the holes in the base, vertical surface, and backup plate, add washers and nuts, and tighten.



Product Mounting Disclaimer

Gamber-Johnson is not liable under any theory of contract or tort law for any loss, damage, personal injury, special, incidental or consequential damages for personal injury or other damage of any nature arising directly or indirectly as a result of the improper installation or use of its products in vehicle or any other application. In order to safely install and use Gamber-Johnson products full consideration of vehicle occupants, vehicle systems (i.e., the location of fuel lines, brakes lines, electrical, drive train or other systems), air-bags and other safety equipment is required. Gamber-Johnson specifically disclaims any responsibility for the improper use or installation of its products not consistent with the original vehicle manufactures specifications and recommendations, Gamber-Johnson product instruction sheets, or workmanship standards as endorsed through the Gamber-Johnson Certified Installer Program.

© Copyright 2013 Gamber-Johnson, LLC

If you need assistance or have questions, call Gamber-Johnson at 1-800-456-6868