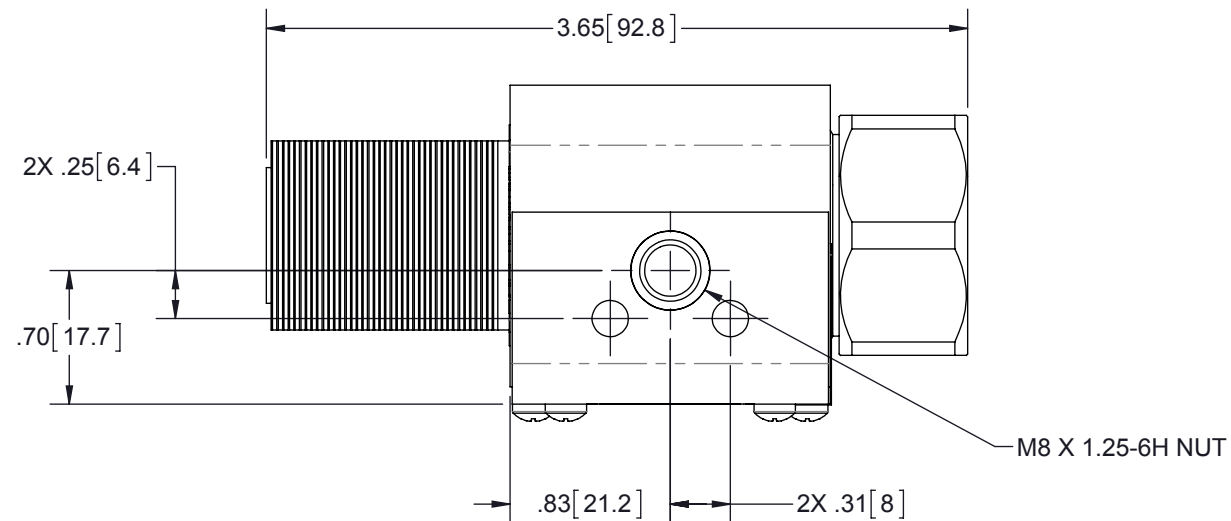
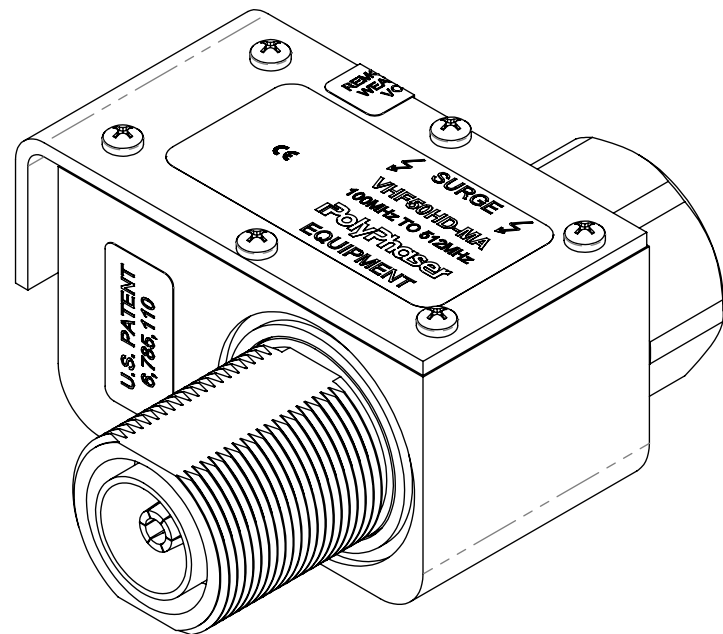


REVISIONS				
REV.	DESCRIPTION	ECN	DATE	APPROVED
F	REFER TO ECN	12041	9/24/13	KCB



HARDWARE KIT INCLUDES:

QTY	DESCRIPTION
1	WASHER 1.15ID FLAT SST TYPE 304
1	NUT M29 X 1.5 SST DIN
1	O-RING 027 SILICONE
1	SCREW CAP M8X1.25X10MM
1	WASHER 5/16 EXT 18-8 SS

MAXIMUM CHARACTERISTICS

APPLICATION:
WEATHERIZED, FLANGE OR BULKHEAD MOUNT

FREQUENCY RANGE:
100MHz TO 512MHz

VSWR:
≤1.1:1 OVER FREQUENCY RANGE

INSERTION LOSS:
≤0.1dB OVER FREQUENCY RANGE

POWER:
750W RMS AVERAGE

MAX. SURGE:
20kA IEC 61000-4-5 8/20μs WAVEFORM

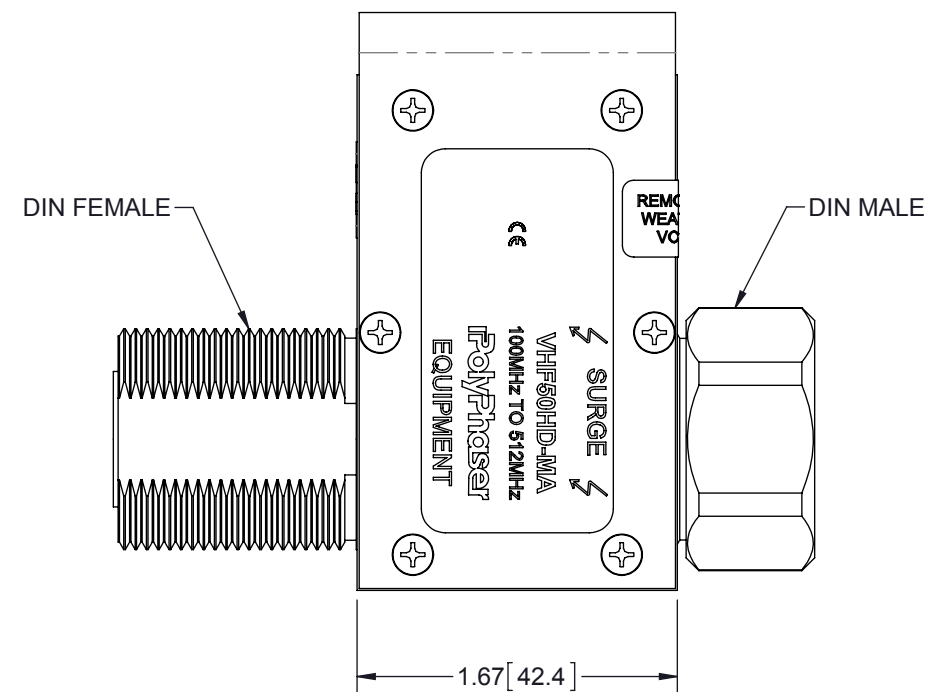
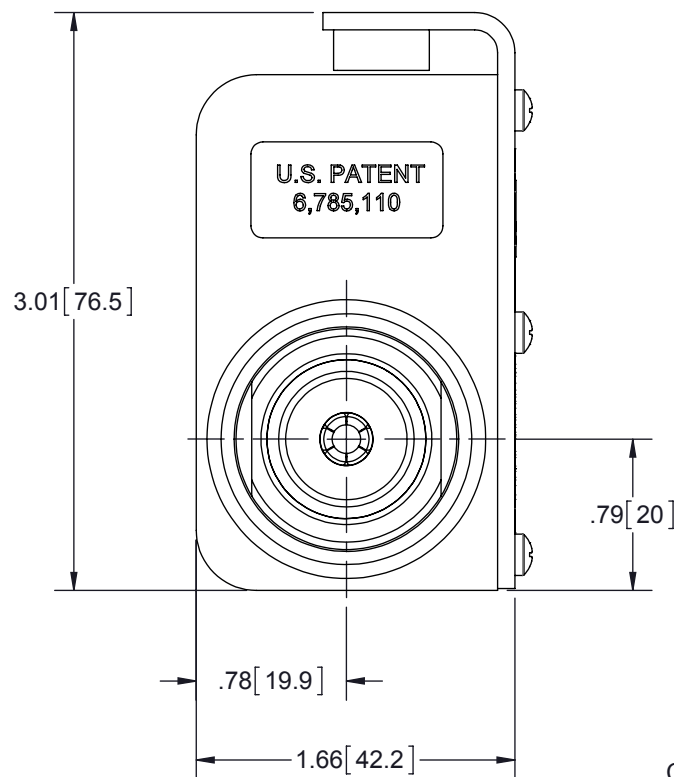
THROUGHPUT ENERGY:
≤500nJ FOR 3kA, 8/20μs WAVEFORM

RELATIVE HUMIDITY:
TO 95%

ENVIRONMENTAL:
MEETS IEC 60529 IP67
MEETS BELLCORE #TA-NWT-000487
PROCEDURE 4.11, WIND DRIVEN (120MPH)
RAIN INTRUSION TEST.

TEMPERATURE:
-50°C TO +85°C STORAGE/OPERATING

CE COMPLIANT
RoHS COMPLIANT



CUSTOMER APPROVAL: _____ DATE: _____

ALL DIMENSIONS SHOWN ARE FOR REFERENCE ONLY.

THESE COMMODITIES, TECHNOLOGY OR SOFTWARE WERE EXPORTED FROM THE UNITED STATES IN ACCORDANCE WITH THE EXPORT ADMINISTRATION REGULATIONS. DIVERSION CONTRARY TO U.S. LAW PROHIBITED.

UNLESS OTHERWISE SPECIFIED LEADING DIMENSIONS ARE INCHES DIMENSIONS IN [] ARE MILLIMETERS	DRAWN	SH	DATE	6/20/03
	ENG APPD	RCD	6/27/03	
	PRODUCT MGR	NT	6/26/03	
	MARKETING APPD	SJD	6/27/03	
MATERIAL	PROJECT NO.			
THIRD-ANGLE PROJECTION	NOTICE: THE INFORMATION AND DESIGN IN THIS DOCUMENT IS THE PROPERTY OF TRANSECTOR SYSTEMS. ALL RIGHTS RESERVED.			

PolyPhaser				
100-512MHz COMB 750W FEM DIN MALE DIN PRESSFIT				
CUSTOMER SPECIFICATION				
SIZE	CAGE	PART NUMBER	REV	
B	61114	VHF50HD-MA	F	
SCALE	PROD CAT	DOCUMENT NAME	SHEET	OF
1:1	RFP	VHF50HD-MA-C	1	1