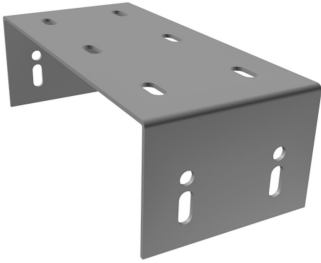


# MT-F503

---



Straight/Hinged Splice

## Product Classification

**Product Type** Splices and splicing kits

## General Specifications

**Application** Waveguide bridge kit, 12 in

**Mounting** Solid waveguide bridge

## Dimensions

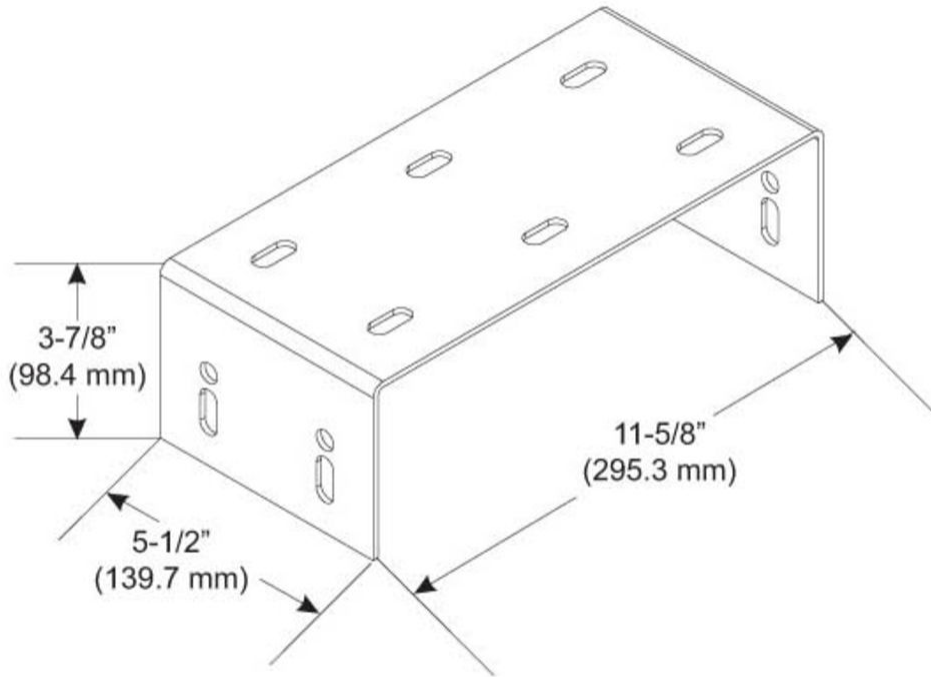
**Height** 127 mm | 5 in

**Width** 304.8 mm | 12 in

**Length** 152.4 mm | 6 in

# MT-F503

## Outline Drawing



## Material Specifications

**Material Type** Hot dip galvanized steel

## Packaging and Weights

**Included** Hardware | Splices

**Packaging quantity** 1

**Weight, net** 1.8 kg | 3.968 lb

## Regulatory Compliance/Certifications

Agency	Classification
--------	----------------

# MT-F503

---

ISO 9001:2015

Designed, manufactured and/or distributed under this quality management system

