

114EZNF



Type N Female EZfit® for 1-1/4 in FXL1480 and AVA6-50 cable

Product Classification

Product Type	Wireless and radiating connector
Product Brand	EZfit®
Product Series	AVA6-50 AVA6RK-50
Ordering Note	CommScope® standard product (Global)

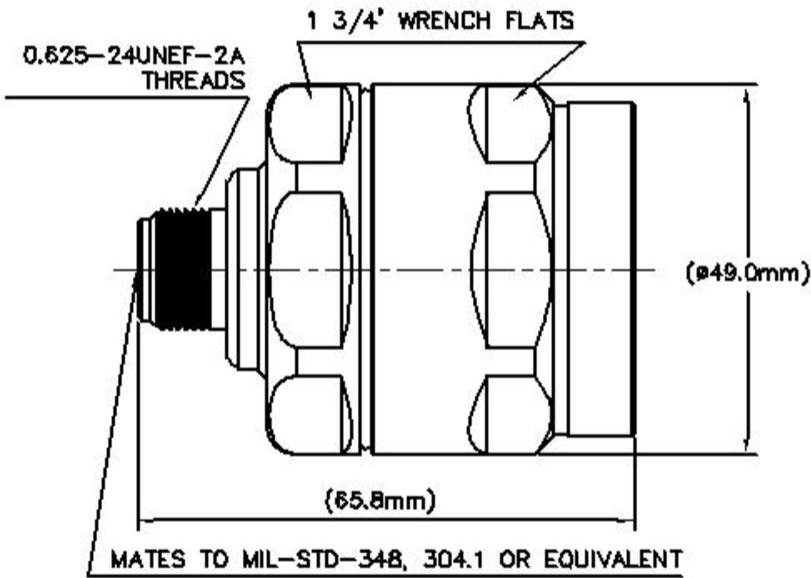
General Specifications

Body Style	Straight
Cable Family	AVA6-50 FXL-1480
Inner Contact Attachment Method	Captivated
Inner Contact Plating	Silver
Interface	N Female
Mounting Angle	Straight
Outer Contact Attachment Method	Clamp
Outer Contact Plating	Trimetal
Pressurizable	No

Dimensions

Length	65.79 mm 2.59 in
Diameter	49.02 mm 1.93 in
Nominal Size	1-1/4 in

Outline Drawing



Electrical Specifications

3rd Order IMD at Frequency	-116 dBm @ 1800 MHz
3rd Order IMD Test Method	Two +43 dBm carriers
Insertion Loss, typical	0.05 dB
Average Power at Frequency	0.6 kW @ 900 MHz
Cable Impedance	50 ohm
Connector Impedance	50 ohm
dc Test Voltage	2000 V
Inner Contact Resistance, maximum	2 mOhm
Insulation Resistance, minimum	5000 MOhm
Operating Frequency Band	0 – 3300 MHz
Outer Contact Resistance, maximum	0.3 mOhm

114EZNF

Peak Power, maximum	10 kW
RF Operating Voltage, maximum (vrms)	707 V

VSWR/Return Loss

Frequency Band	VSWR	Return Loss (dB)
50–1000 MHz	1.03	37
1000–1900 MHz	1.05	34
1900–2200 MHz	1.05	34
2200–2700 MHz	1.05	34
2700–3300 MHz	1.07	30

Mechanical Specifications

Attachment Durability	25 cycles
Connector Retention Tensile Force	1,334.47 N 300 lbf
Connector Retention Torque	8.14 N-m 72.001 in lb
Insertion Force	66.72 N 15 lbf
Insertion Force Method	IEC 61169-1:15.2.4
Interface Durability	500 cycles
Interface Durability Method	IEC 61169-4:9.5
Mechanical Shock Test Method	IEC 60068-2-27

Environmental Specifications

Operating Temperature	-40 °C to +85 °C (-40 °F to +185 °F)
Storage Temperature	-55 °C to +85 °C (-67 °F to +185 °F)
Attenuation, Ambient Temperature	20 °C 68 °F
Average Power, Ambient Temperature	40 °C 104 °F
Corrosion Test Method	IEC 60068-2-11, Test Condition Ka
Immersion Depth	1 m
Immersion Test Mating	Mated
Immersion Test Method	IEC 60529:2001, IP68
Moisture Resistance Test Method	IEC 60529, IP68
Vibration Test Method	IEC 60068-2-6
Water Jetting Test Mating	Mated

114EZNF

Water Jetting Test Method

IEC 60529:2001, IP66

Packaging and Weights

Weight, net

284 g | 0.626 lb

Regulatory Compliance/Certifications

Agency

CHINA-ROHS

ISO 9001:2015

REACH-SVHC

ROHS

Classification

Below maximum concentration value

Designed, manufactured and/or distributed under this quality management system

Compliant as per SVHC revision on www.commscope.com/ProductCompliance

Compliant



* Footnotes

Immersion Depth

Immersion at specified depth for 24 hours

Insertion Loss, typical

$0.05\sqrt{\text{freq (GHz)}}$ (not applicable for elliptical waveguide)