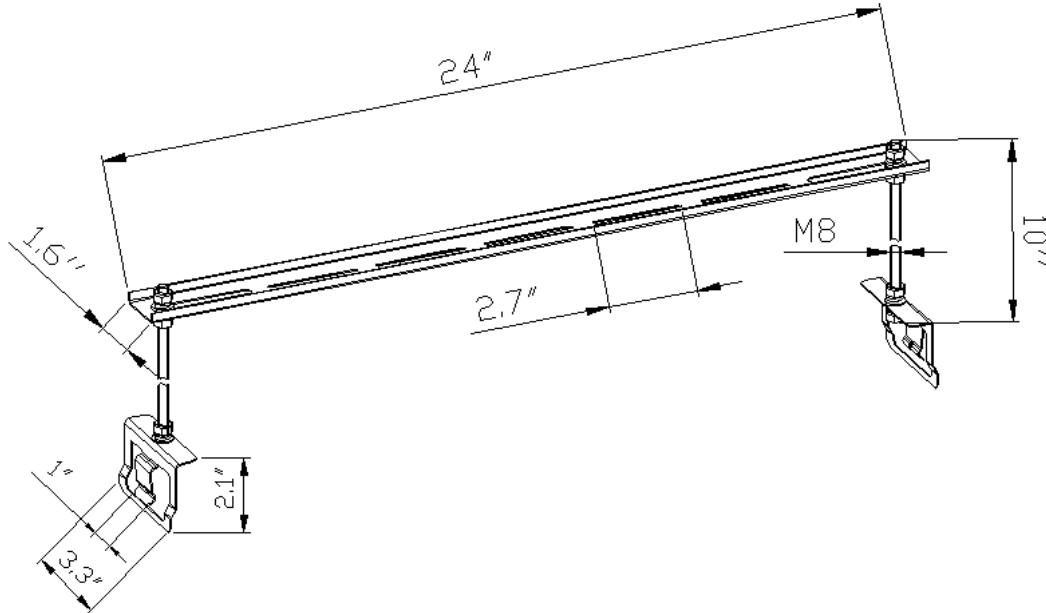


Above Ceiling Tile Mounting Bracket

Ventev's Above Ceiling Tile Mounting bracket is designed to securely mount equipment, such as WLAN access points (APs), up above a ceiling tile grid. Includes 10" long bolts to conveniently and securely mount APs with integrated antennas upside down for optimal signal coverage. Additionally, this above ceiling tile mount is an excellent method to mount APs being deployed with rubber ducks above a ceiling tile for a virtually hidden WLAN. Each mounting bracket is covered by the Company's two TerraNet warranty program. For questions and to purchase product, contact Ventev, 800-851-4965 or sales@ventev.com.

Mounting Bracket Features & Specifications:

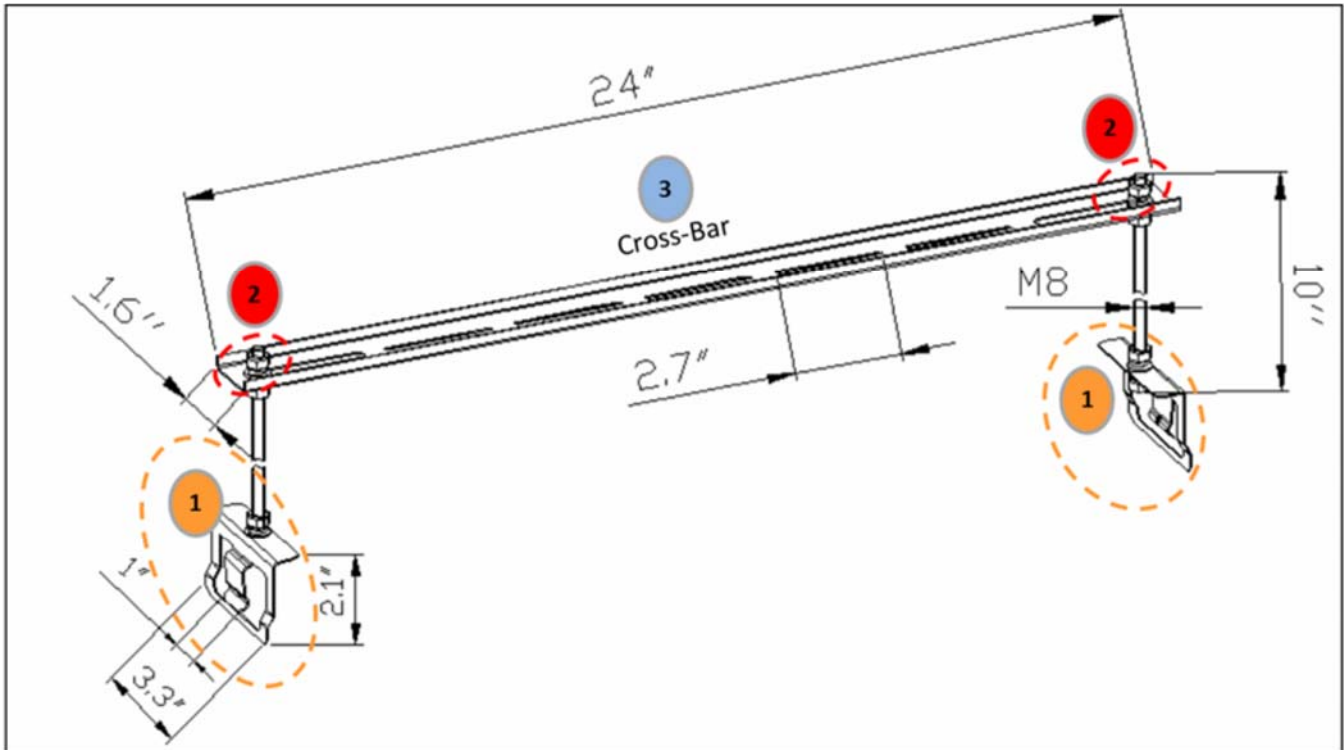
- Model: TW-AC-BKT-L
- Rugged mounting bar is made from an electrolysis plate and includes slotted holes
- Mounting bar is sturdy to support weight of wireless equipment
- Includes 10" long bolts to suspend the equipment above the ceiling
- Includes bolts with fly nuts to secure equipment to mounting bar
- Includes extra-wide mounting clips for stability
- Weight: 1.0 lbs



Above Ceiling Tile Mounting Brackets can support and mount any TerraWave Above Ceiling Tile Antenna or an Above Ceiling Tile Antenna and AP.

Above Ceiling Tile Mounting Bracket

Mounting Instructions



- Note: The mount should be located between the permanent ceiling and the drop ceiling grid.
- Step 1 - Select the desired location of the access point (AP) between the permanent ceiling and the drop ceiling grid. The AP should be centered above a ceiling tile.
- Step 2 - Slide the mount's "feet" (labeled 1) onto the ceiling tile grid so that it straddles the selected ceiling tile above which the AP will be mounted.
- Step 3 - Tighten the two nuts labeled "2."
- Step 4 – Position the AP in the select location on the 24" Cross-Bar and secure into position using the AP's mounting hardware (provided by the AP OEM).