

DF-CAPKIT



7-16 DIN Female End Cap Assembly

Product Classification

Product Type

Surge arrester accessory

Ordering Note

CommScope® standard product in Asia Pacific

General Specifications

Interface

7-16 DIN Female

Dimensions

Width

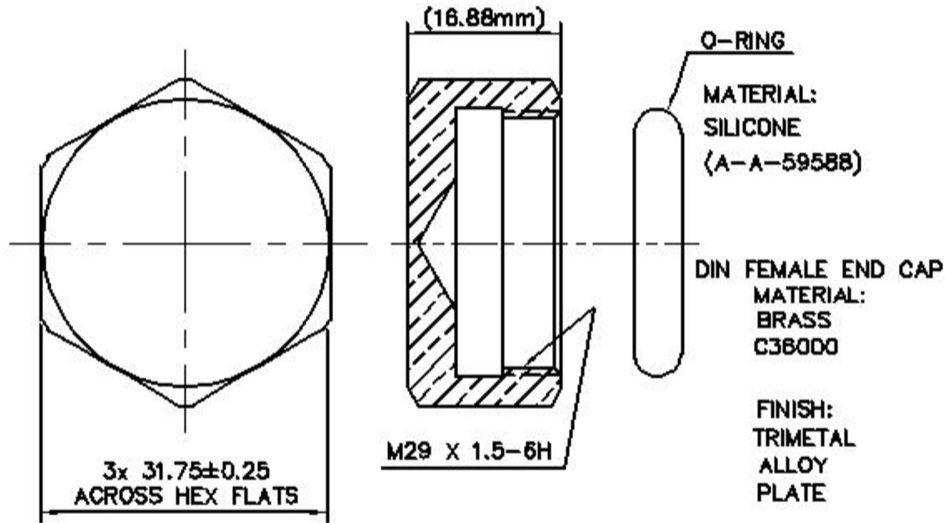
31.75 mm | 1.25 in

Length

16.88 mm | 0.665 in

Outline Drawing

DF-CAPKIT



Mechanical Specifications

Mechanical Shock Test Method IEC 60068-2-27

Environmental Specifications

Operating Temperature -55 °C to +85 °C (-67 °F to +185 °F)

Storage Temperature -65 °C to +125 °C (-85 °F to +257 °F)

Corrosion Test Method IEC 60068-2-11

Immersion Depth 1 m

Immersion Test Mating Mated

Immersion Test Method IEC 60529:2001, IP68

Moisture Resistance Test Method IEC 60068-2-3

DF-CAPKIT

Thermal Shock Test Method IEC 60068-2-14

Vibration Test Method IEC 60068-2-6

Packaging and Weights

Packaging quantity 1

Weight, net 63.5 g | 0.14 lb

Regulatory Compliance/Certifications

Agency

CHINA-ROHS

ISO 9001:2015

REACH-SVHC

ROHS

Classification

Below maximum concentration value

Designed, manufactured and/or distributed under this quality management system

Compliant as per SVHC revision on www.commscope.com/ProductCompliance

Compliant



* Footnotes

Immersion Depth Immersion at specified depth for 24 hours