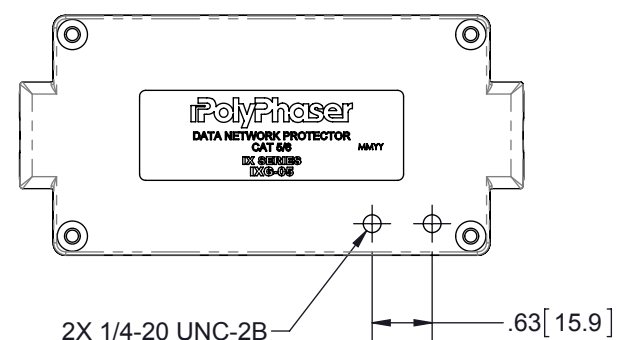
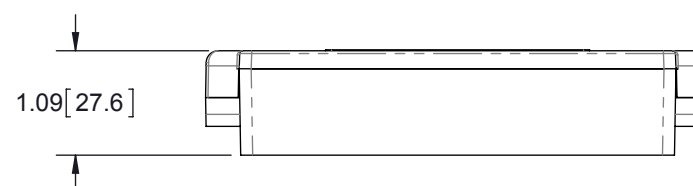
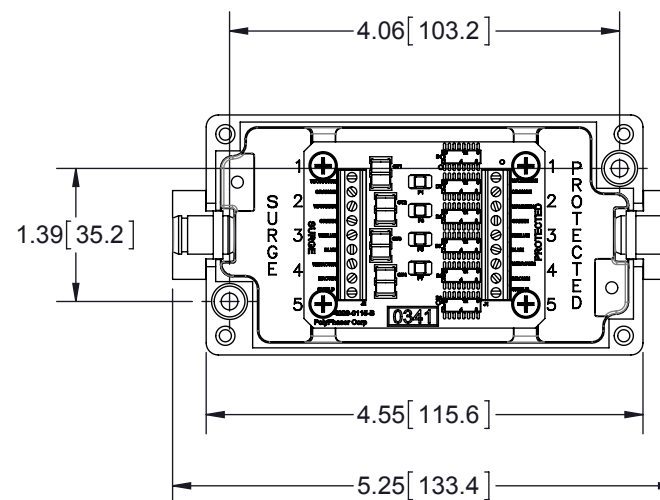
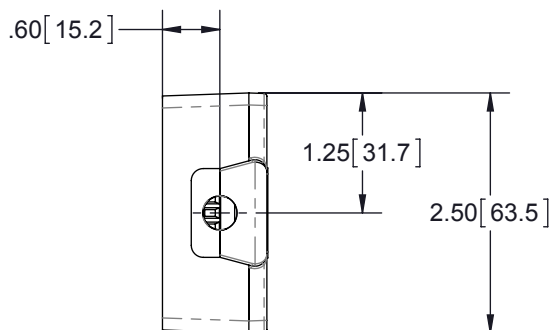
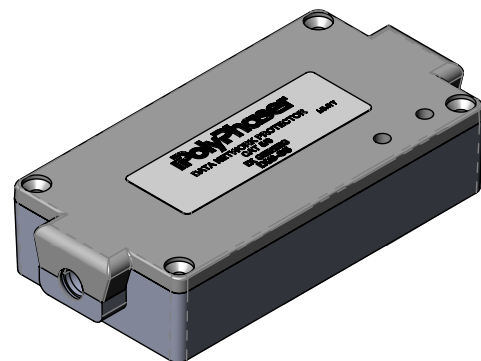


REVISIONS				
REV.	DESCRIPTION	ECN	DATE	APPROVED
B	REFER TO ECN	11362	2/6/13	LC



CUSTOMER APPROVAL: _____ DATE: _____

ALL DIMENSIONS SHOWN ARE FOR REFERENCE ONLY.

MAXIMUM CHARACTERISTICS

PAIRS PROTECTED:
1/2, 4/5, 3/6, 7/8
PINS PROTECTED:
ALL 8, L-L, L-G
TURN ON (@10mA):
±75Vdc TYPICAL, L-G
±150Vdc TYPICAL, L-L
SERIES RESISTANCE:
<1Ω
TYPICAL CAPACITANCE:
4pF, L-L
2pF, L-G
MAX SURGE:
10kA; 8/20μs (IEC 61000-4-5), L-L, L-G
200A; 10/1000μs (BELLCORE 1089), L-L, L-G
MAX HOLDING CURRENT:
500mA @ +20°C
760mA @ -40°C
250mA @ +80°C
HUMIDITY:
0 TO 100% CONDENSING
TEMPERATURE:
-40°C TO +80°C STORAGE/OPERATING
WIRE RANGE:
16-28 AWG.
CORD DIAMETER:
0.114 TO 0.225 INCH W/ SMALL GROMMET
0.250 TO 0.350 INCH W/ LARGE GROMMET
APPLICATION:
PANEL MOUNT.
WEATHERIZED AFTER PROPER INSTALLATION OF GROMMETS AND TORQUING OF LID.
APPLICATION:
MEETS BELLCORE #TA-NWT-000487 PROCEDURE 4.11 WIND DRIVEN RAIN (70MPH) RAIN INTRUSION TEST.

- NOTES:
1. TORQUE 4X M4-20mm LID SCREWS TO 11lbf-in MINIMUM.
2. ENSURE THAT ALL GROMMETS ARE PROPERLY SEATED FOR ENVIRONMENTAL SPECIFICATIONS.

THESE COMMODITIES, TECHNOLOGY OR SOFTWARE WERE EXPORTED FROM THE UNITED STATES IN ACCORDANCE WITH THE EXPORT ADMINISTRATION REGULATIONS. DIVERSION CONTRARY TO U.S. LAW PROHIBITED.

UNLESS OTHERWISE SPECIFIED LEADING DIMENSIONS ARE INCHES DIMENSIONS IN [] ARE MILLIMETERS	DRAWN	RJS	DATE	7/12/07
	ENG APPD	RCD	8/2/07	
	PRODUCT MGR	LC	7/13/07	
	MARKETING APPD	WO	8/2/07	
MATERIAL	PROJECT NO.			
THIRD-ANGLE PROJECTION	NOTICE: THE INFORMATION AND DESIGN IN THIS DOCUMENT IS THE PROPERTY OF TRANSECTOR SYSTEMS. ALL RIGHTS RESERVED.			

PolyPhaser				
TITLE DATA 4@20V CUSTOMER SPECIFICATION				
SIZE	CAGE	PART NUMBER	REV	
B	30992	IXG-05	B	
SCALE	PROD CAT	DOCUMENT NAME	SHEET	OF
1:2	DSP	IXG-05-C	1	1