

# PM-SU4-B

---



## Universal Sliding Pipe Mount Base Kit for 4-1/2 in OD pipe



### Product Classification

**Product Type** Pipe mount

### General Specifications

**Mounting** Angle 60°, 203.2 mm (8 in) | Angle 90°, 152.4 mm (6 in) | Straight or tapered legs up to 203.2 mm (8 in) OD

**Note** One 96 in x 8 in panel antenna per sector

**Pipe, quantity** 0

**Tower Taper** Tapered

### Dimensions

**Height** 127 mm | 5 in

**Width** 304.8 mm | 12 in

**Length** 304.8 mm | 12 in

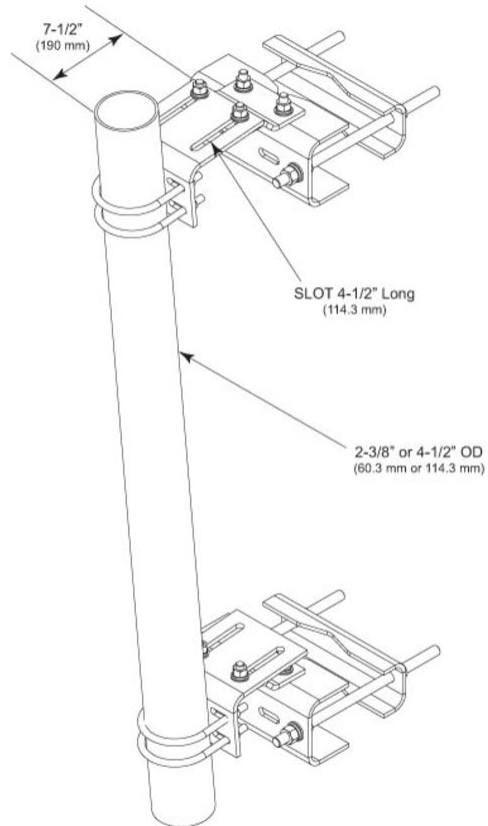
**Mounting Diameter, maximum** 203.2 mm | 8 in

**Mounting Diameter, minimum** 0 mm | 0 in

**Pipe Outer Diameter** 114.3 mm | 4.5 in

# PM-SU4-B

## Outline Drawing



## Material Specifications

**Material Type** Hot dip galvanized steel

## Mechanical Specifications

**Wind Rating** 120 mph (BWS) at 150 ft AGL

**Wind Rating Test Method** TIA/EIA-222

## Packaging and Weights

**Included** Sliding pipe mount brackets | Universal saddle mount

**Packaging quantity** 2

# PM-SU4-B

---

**Weight, net** 36.8 kg | 81.13 lb

## Regulatory Compliance/Certifications

**Agency**

ISO 9001:2015

**Classification**

Designed, manufactured and/or distributed under this quality management system



## Included Products

PM-SL4 — Universal Taper Pipe Mount Slider Bracket for 4-1/2 in OD pipe

SM-U2080 — Universal Saddle Mount for straight or tapered legs up to 8 in OD, 8 in angle 60°, or 6 in angle 90°

## \* Footnotes

**Wind Rating**

BWS—w Base Wind Speed; FBC—Florida Building Code