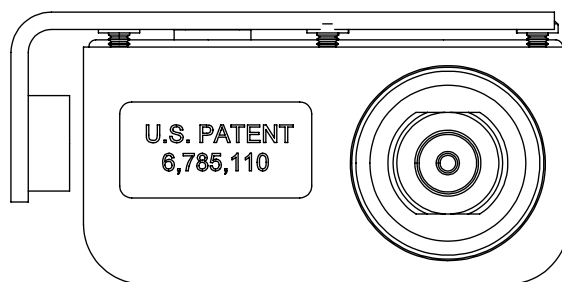
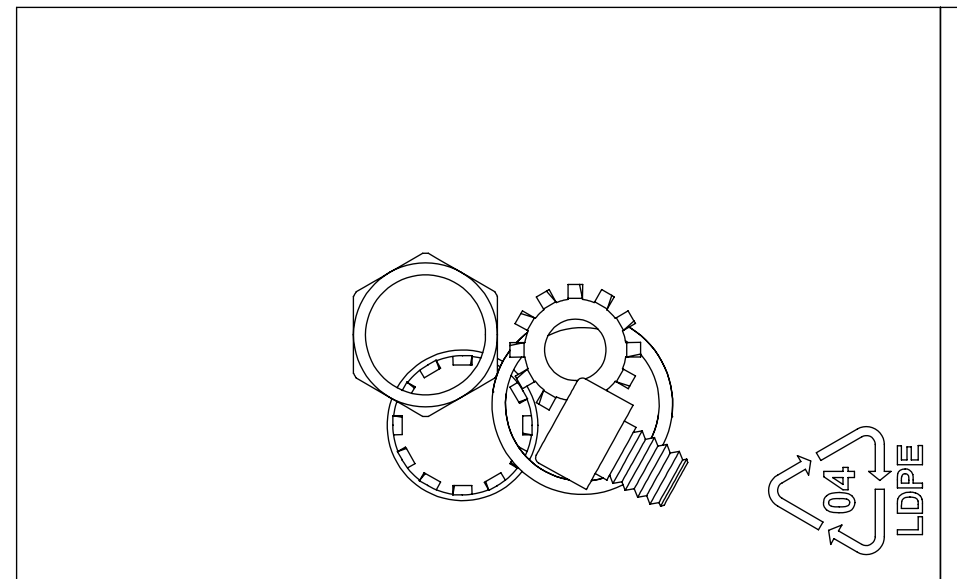
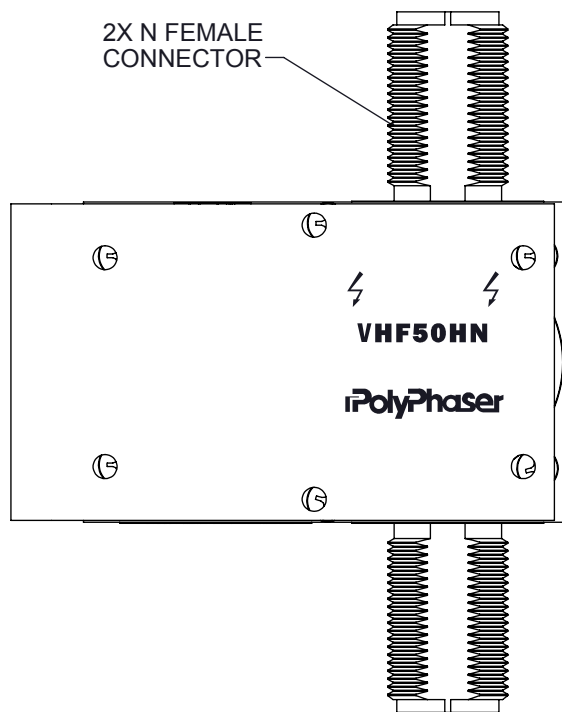
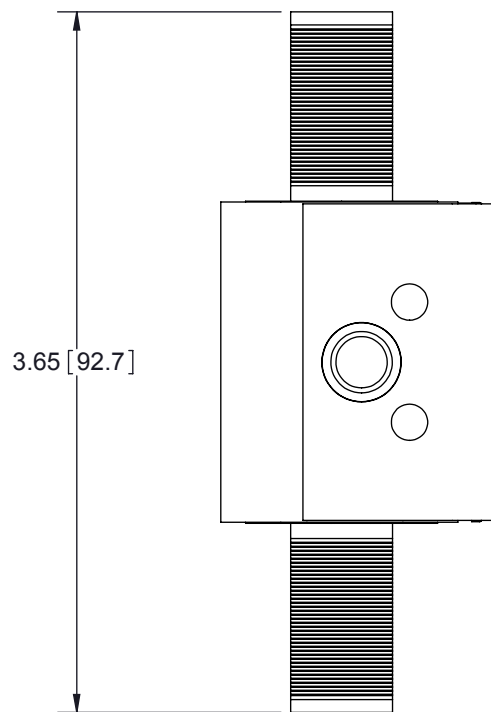


REVISIONS				
REV.	DESCRIPTION	ECN	DATE	APPROVED
G	REFER TO ECN	11912	8/01/13	KCB



MAXIMUM CHARACTERISTICS

Application:

Weatherized, Flange or Bulkhead Mount use to protect critical communications such as public safety and rail.

Electrical Performance:

Frequency Range: 100MHz to 512 MHz

VSWR: $\leq 1.1:1$ Over Frequency Range

Insertion Loss: ≤ 0.1 dB Over Frequency Range

Power: 750W RMS Average

Max. Surge: 20kA IEC 61000-4-5 8/20 μ s Waveform

Throughput Energy: ≤ 500 nJ for 3kA @ 8/20 μ s Waveform

Mechanical:

Dimensions: 3.65" x 2.82" x 1.40"

Weight: .5lbs

Environmental:

Meets IEC 60529 IP67

Meets Bellcore #TA-NWT-000487

Procedure 4.11, Wind Driven (120mph) Rain Intrusion Test.

Operating temperature: -50°C to +85°C

Relative Humidity: to 95%

CE Compliant
RoHS Compliant

CUSTOMER APPROVAL: _____ DATE: _____

ALL DIMENSIONS SHOWN ARE FOR REFERENCE ONLY.

THESE COMMODITIES, TECHNOLOGY OR SOFTWARE WERE EXPORTED FROM THE UNITED STATES IN ACCORDANCE WITH THE EXPORT ADMINISTRATION REGULATIONS. DIVERSION CONTRARY TO U.S. LAW PROHIBITED.

UNLESS OTHERWISE SPECIFIED LEADING DIMENSIONS ARE INCHES DIMENSIONS IN [] ARE MILLIMETERS TOLERANCES: FRACTIONS=± 1/32 .XX=± .03 ANGLES=± 1° .XXX=± .010	DRAWN	SH	DATE						
	ENG APPD	NT	04/24/03						
	PRODUCT MGR	SD	04/25/03						
	MARKETING APPD	LJ	04/28/03						
MATERIAL NA	PROJECT NO.	TITLE			CUSTOMER PRINT				
THIRD-ANGLE PROJECTION	NOTICE: THE INFORMATION AND DESIGN IN THIS DOCUMENT IS THE PROPERTY OF TRANSTECTOR SYSTEMS. ALL RIGHTS RESERVED.			VHF50HN			CUSTOMER SPECIFICATION		
SCALE			1:1	CAGE	61114	PART NUMBER	VHF50HN	REV	G
SCALE			1:1	PROD CAT	RFP	DOCUMENT NAME	VHF50HN-C	SHEET	1 OF 1