

WB-LB24-3

Waveguide Bridge Support Bracket, 24 in wide for 3-1/2 in OD legs

Product Classification

Product Type Support bracket

General Specifications

Application Waveguide bridge kit, 24 in

Cable Runs, quantity 24

Mounting Pipe, 88.9 mm (3-1/2 in) OD

Dimensions

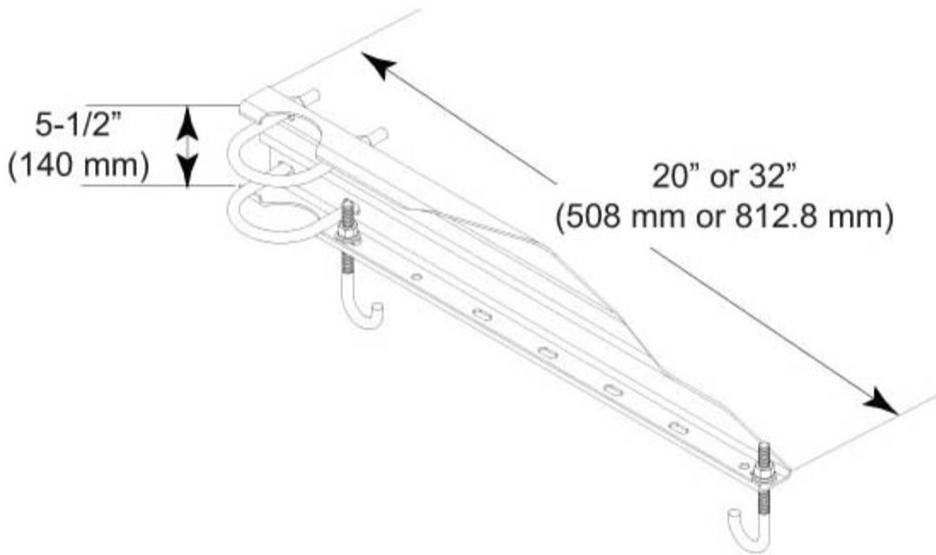
Height 50.8 mm | 2 in

Width 812.8 mm | 32 in

Length 152.4 mm | 6 in

WB-LB24-3

Outline Drawing



Material Specifications

Material Type Hot dip galvanized steel

Packaging and Weights

Included Brackets | Hardware

Packaging quantity 1

Weight, net 7.3 kg | 16.094 lb

Regulatory Compliance/Certifications

Agency **Classification**

WB-LB24-3

CHINA-ROHS	Below maximum concentration value
ISO 9001:2015	Designed, manufactured and/or distributed under this quality management system
REACH-SVHC	Compliant as per SVHC revision on www.commscope.com/ProductCompliance
ROHS	Compliant

