

ZB-H4

Horizontal Z-bracket, 11 in, for seven coaxial cable runs

Product Classification

Product Type Bracket kit

General Specifications

Cable Runs, quantity 7

Hole, quantity 7

Mounting Walls

Dimensions

Height 50.8 mm | 2 in

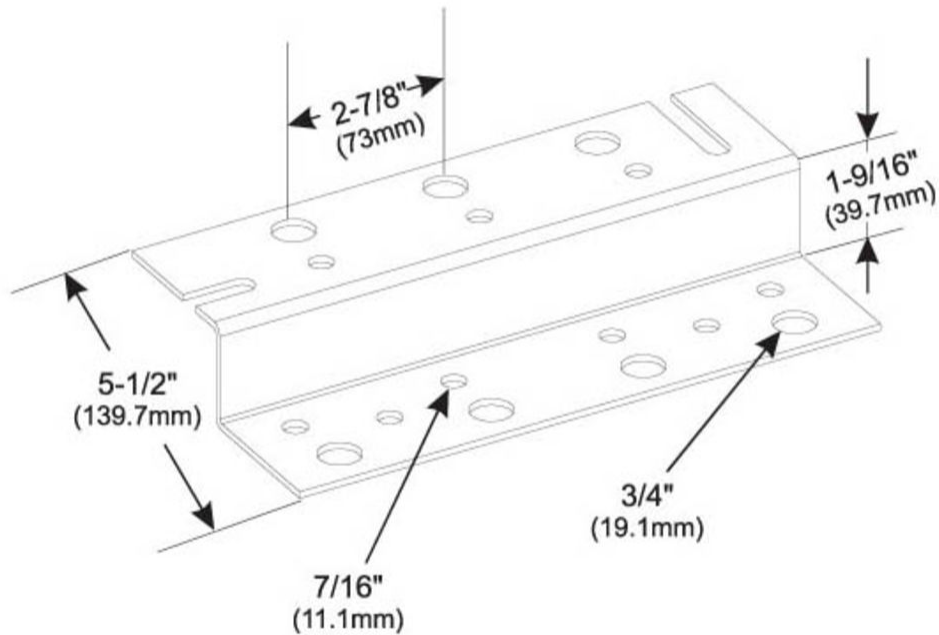
Width 152.4 mm | 6 in

Length 279.4 mm | 11 in

Hole Size 3/4 in | 7/16 in

ZB-H4

Outline Drawing



Material Specifications

Material Type Hot dip galvanized steel

Mechanical Specifications

Wind Rating For Specifications, please contact steelproducts@commscope.com or call 800-255-1479

Packaging and Weights

Included Z-bracket

Packaging quantity 1

Weight, net 1.2 kg | 2.646 lb

ZB-H4

Regulatory Compliance/Certifications

Agency

CHINA-ROHS

ISO 9001:2015

REACH-SVHC

ROHS



Classification

Below maximum concentration value

Designed, manufactured and/or distributed under this quality management system

Compliant as per SVHC revision on www.commscope.com/ProductCompliance

Compliant

* Footnotes

Wind Rating

BWS—w Base Wind Speed; FBC—Florida Building Code