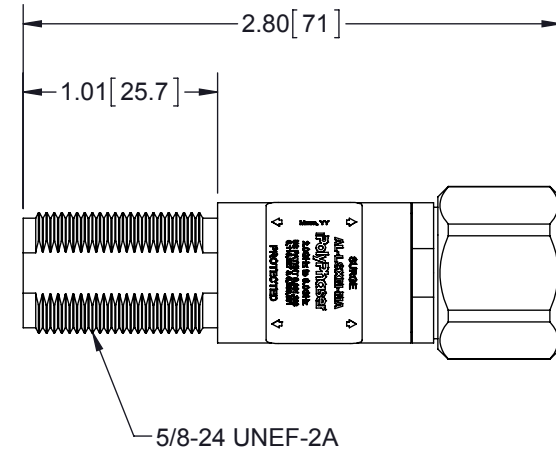
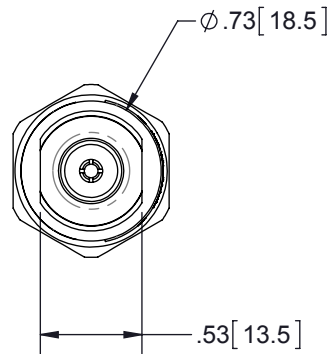
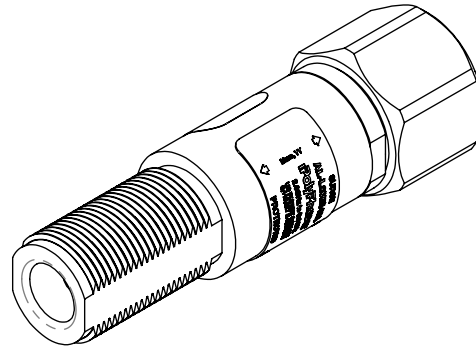


REVISIONS				
REV.	DESCRIPTION	ECN	DATE	APPROVED
B	REFER TO ECN	11838	7/9/13	MTH
C	CHANGE IP65 TO IP67	11988	9/10/2013	JJ



### MAXIMUM CHARACTERISTICS

APPLICATION:  
BULKHEAD MOUNT/ALUMINUM CONSTRUCTION  
WEATHERPROOF WHEN INSTALLED

SURGE:  
10kA IEC 61000-4-5 8/20 $\mu$ s WAVEFORM

FREQUENCY RANGES:  
2.0GHz TO 6.0GHz

VSWR:  
 $\leq 1.2:1$  TYPICAL ( $\leq 1.3$  TO 1 MAX.)

INSERTION LOSS:  
 $\leq 0.1$ dB TYPICAL ( $\leq 0.2$ dB MAX.)

RETURN LOSS:  
 $\geq 20$ dB TYPICAL ( $\geq 18$ dB MAX.)


CONTINUOUS POWER:  
10W

LET THROUGH VOLTAGE:  
 $\leq \pm 3$  VOLTS FOR 3kA @ 8/20 $\mu$ s WAVEFORM

THROUGHPUT ENERGY:  
 $\leq 0.5\mu$ J FOR 3kA @ 8/20 $\mu$ s WAVEFORM



TEMPERATURE:  
-40°C TO +85°C STORAGE/OPERATING

VIBRATION:  
1G AT 5Hz TO 100Hz

ENVIRONMENTAL:  
MEETS IEC 60529 IP67   
MEETS BELLCORE #TA-NWT-000487  
PROCEDURE 4.11, WIND DRIVEN (120MPH)  
RAIN INTRUSION TEST

CUSTOMER APPROVAL: \_\_\_\_\_ DATE: \_\_\_\_\_

ALL DIMENSIONS SHOWN ARE FOR REFERENCE ONLY.

<small>UNLESS OTHERWISE SPECIFIED LEADING DIMENSIONS ARE INCHES DIMENSIONS IN [ ] ARE MILLIMETERS</small> <b>TOLERANCES:</b> FRACTIONS=± 1/32 .XX=± .03 ANGLES=± 1° .XXX=± .010 <small>NOTICE: THE INFORMATION AND DESIGN IN THIS DOCUMENT IS THE PROPERTY OF POLYPHASER CORPORATION. ALL RIGHTS RESERVED.</small>	<small>DRAWN</small> RCD 3/16/04		<small>SHEET</small> 1 OF 1			
	<small>ENG APPD</small> RCD 3/16/04		<small>SCALE</small> 1:1			
	<small>PRODUCT MGR</small> JLJ 3/16/04		<small>TITLE</small> <b>LOOP-FILT 2-6GHz 10W</b> <small>CUSTOMER SPECIFICATION</small>			
	<small>MARKETING APPD</small> SJD 3/16/04		<small>PROJECT NO.</small>			
<small>THIRD-ANGLE PROJECTION</small> 	<small>DOCUMENT NAME</small> AL-LSXM-MA-C	<small>SIZE</small> A	<small>CAGE</small> 61114	<small>PROD CAT</small> RFP	<small>PART NUMBER</small> AL-LSXM-MA	<small>REV</small> C

THESE COMMODITIES, TECHNOLOGY OR SOFTWARE WERE EXPORTED FROM THE UNITED STATES IN ACCORDANCE WITH THE EXPORT ADMINISTRATION REGULATIONS. DIVERSION CONTRARY TO U.S. LAW PROHIBITED.