

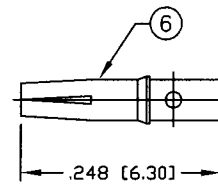
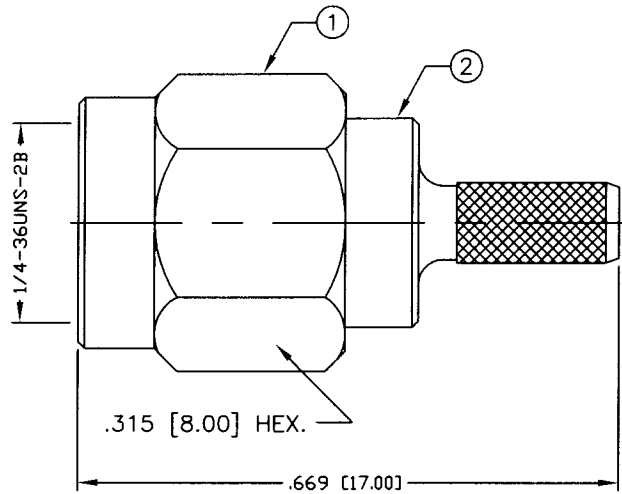
THIS DRAWING CONTAINS INFORMATION PROPRIETARY TO RF INDUSTRIES.  
 ANY UNAUTHORIZED USE OF THIS DRAWING IS EXPRESSLY PROHIBITED  
 WITHOUT WRITTEN PERMISSION FROM RF INDUSTRIES.  
 ANY VIOLATION IS PUNISHABLE UNDER U.S. COPYRIGHT LAWS.

ALL DIMENSIONS ARE REFERENCE ONLY

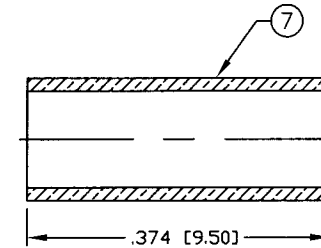
PART NO.

**RP-3000-B**

| REV | DESCRIPTION   | DWN | DATE    | APPROVED |
|-----|---|-----|---------|----------|
| -   | ENGINEERING RELEASE                                   | JDM | 6/12/00 | JDMc     |
| A   | ADDED ELECTRICAL SPECS                                | JDM | 3/22/02 | JDMc     |
| B   | CHG ITEM #7, #8 & STRIPPING DIMENSIONS / UPDATE SPECS | CZS | 4/25/03 | JDMc     |



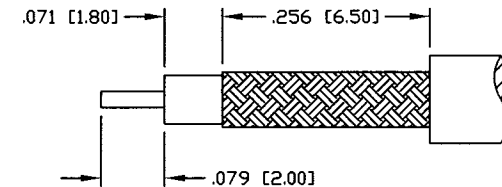
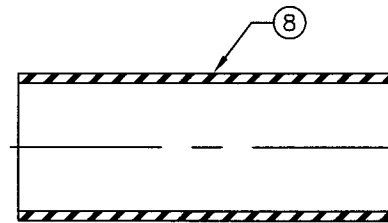
PIN TO BE SOLDERED



RECOMMENDED CRIMP DIE: .130"

SPECIFICATIONS:

IMPEDANCE: 50 Ohms  
 FREQUENCY RANGE: 0-12.4 GHz  
 INSERTION LOSS(dB):  $0.03 \times \sqrt{f(\text{GHz})}$   
 VSWR: 1.3 MAX.  
 WORKING VOLTAGE: 375 V rms Max. @ Sea Level  
 INSULATION RESISTANCE: 5k M Ohms min.  
 TEMPERATURE RANGE: -65°C TO 85°C  
 FOR RG-174, 188, 188A, 316/U, ALPHA 9174, 9316,  
 BELDEN 8216, 83269, 83284, 84316 & TIMES LMR-100A CABLE



RECOMMENDED STRIPPING DIMENSIONS

|    |                |     |            |               |           |                             |
|----|----------------|-----|------------|---------------|-----------|-----------------------------|
| 1  | SHELL          | 1   | BRASS      | NICKEL, 100μ" | 008974    | UNLESS OTHERWISE SPECIFIED: |
| 2  | BODY           | 1   | BRASS      | NICKEL, 100μ" |           |                             |
| 3  | INSULATOR      | 1   | PTFE       | ---           |           |                             |
| 4  | RETAINING RING | 1   | Be. Cu.    | ---           |           |                             |
| 5  | GASKET         | 1   | SILICONE   | ---           |           |                             |
| 6  | CONTACT        | 1   | Be. Cu.    | GOLD, 50μ"    |           |                             |
| 7  | FERRULE        | 1   | COPPER     | NICKEL, 100μ" |           |                             |
| 8  | TUBING         | 1   | HEAT SHINK | ---           |           |                             |
| 9  |                |     |            |               |           |                             |
| 10 |                |     |            |               | DRAWN     |                             |
| 11 |                |     |            |               | C. ZUNIGA | 7/19/04                     |
| 12 |                |     |            |               | CHECKED   | JDMc 7-21-04                |
| 13 |                |     |            |               | ORJ DRAWN |                             |
| 14 |                |     |            |               | C. ZUNIGA | 7/27/00                     |
| #  | DESCRIPTION    | QTY | MATERIAL   | FINISH        | APPROVALS | DATE                        |

DIMENSIONS ARE IN INCHES  
 AND [MILLIMETERS]  
 UNLESS OTHERWISE NOTED  
 TOLERANCES ARE:  
 DECIMALS      DIAMETER

**RF connectors**  
 DIVISION OF RF INDUSTRIES, LTD.

7610 MIRAMAR RD  
 SAN DIEGO, CA 92126  
 (858) 549-6340  
 (858) 549-6345 FAX

**SMA PLUG, CRIMP**

REVERSE POLARITY

|        |             |           |              |
|--------|-------------|-----------|--------------|
| SIZE   | CABLE GROUP | DWG NO.   | REV          |
| A      | B           | RP-3000-B | B            |
| SCALE: | NTS         | CAD FILE  | OUTLINE      |
|        |             |           | SHEET 1 OF 1 |