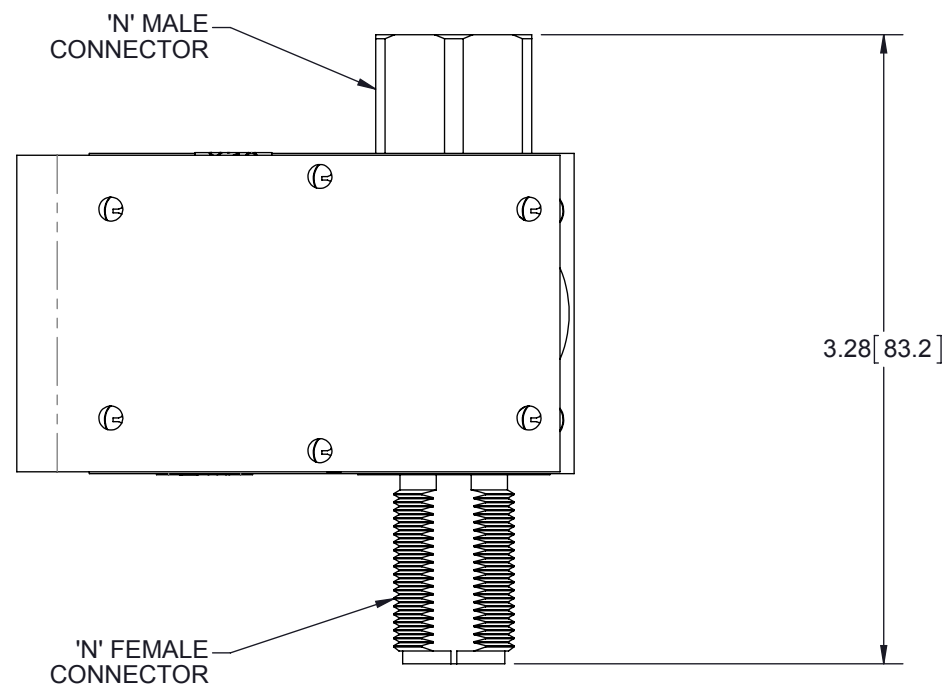
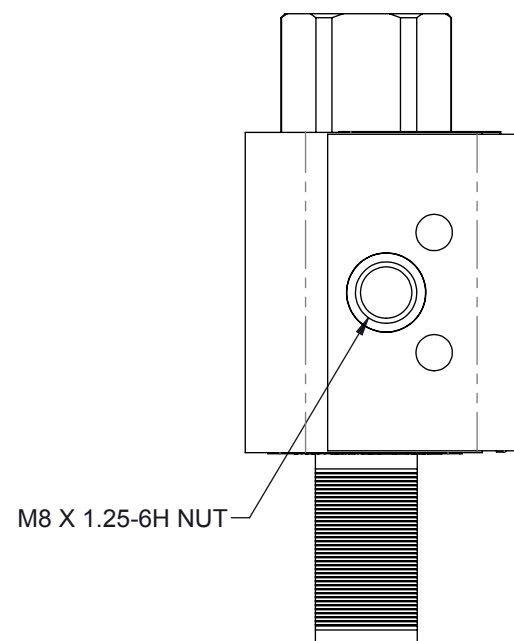
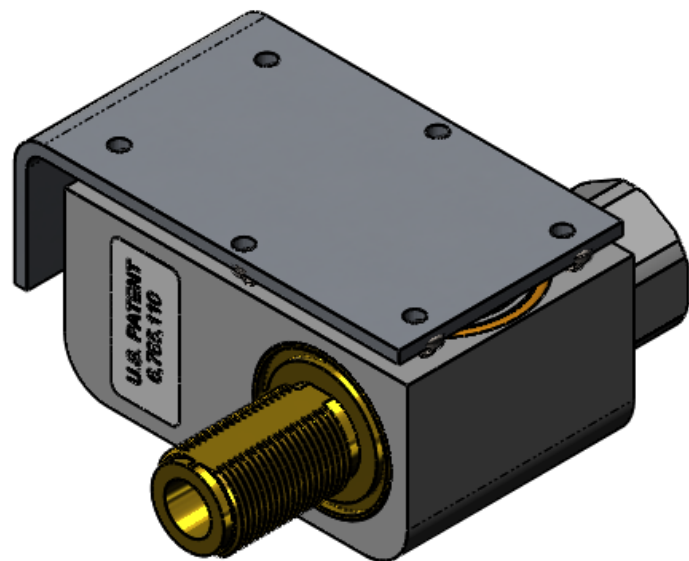


REVISIONS				
REV.	DESCRIPTION	ECN	DATE	APPROVED
F	REFER TO ECN	11920	8/06/13	KCB



MAXIMUM CHARACTERISTICS

APPLICATION:
 USED TO PROTECT CRITICAL COMMUNICATIONS SUCH AS PUBLIC SAFETY AND RAIL. WEATHERIZED, FLANGE OR BULKHEAD MOUNT

FREQUENCY RANGE:
 100MHz TO 512MHz

VSWR:
 ≤1.1:1 OVER FREQUENCY RANGE

INSERTION LOSS:
 ≤0.1dB OVER FREQUENCY RANGE

POWER:
 750W RMS AVERAGE

MAX. SURGE:
 20kA IEC 61000-4-5 8/20μs WAVEFORM

THROUGHPUT ENERGY:
 ≤500nJ FOR 3kA, 8/20μs WAVEFORM

RELATIVE HUMIDITY:
 TO 95%

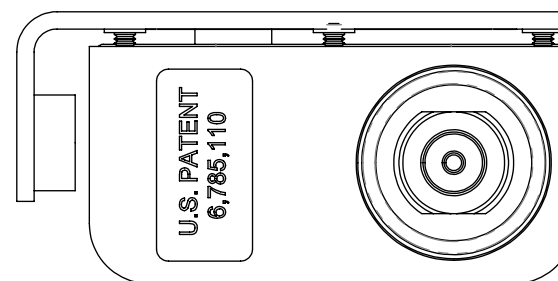
ENVIRONMENTAL:
 MEETS IEC 60529 IP67
 MEETS BELLCORE #TA-NWT-000487 PROCEDURE 4.11, WIND DRIVEN (120MPH)
 RAIN INTRUSION TEST.

TEMPERATURE:
 -50°C TO +85°C STORAGE/OPERATING

CE COMPLIANT
RoHS COMPLIANT

HARDWARE KIT INCLUDES:

QTY	DESCRIPTION
1	NUT 5/8-24 303 HEX SS
1	WASHER 5/8 410 SS
1	SILICONE O-RING 019
1	SCREW CAP M8X1.25X10MM
1	WASHER 5/16 EXT 18-8 SS



CUSTOMER APPROVAL: _____ DATE: _____

ALL DIMENSIONS SHOWN ARE FOR REFERENCE ONLY.

UNLESS OTHERWISE SPECIFIED LEADING DIMENSIONS ARE INCHES DIMENSIONS IN [] ARE MILLIMETERS	DRAWN	SH	DATE			
	ENG APPD	RCD	6/27/03			
	PRODUCT MGR	NT	6/26/03			
	MARKETING APPD	SJD	6/27/03			
MATERIAL	PROJECT NO.		TITLE			
THIRD-ANGLE PROJECTION			100-512MHz VHF COMB 750W <small>CUSTOMER SPECIFICATION</small>			
SCALE		1:1	SIZE	CAGE	PART NUMBER	REV
SCALE		1:1	B	61114	VHF50HN-MA	F
PROD CAT		RFP	DOCUMENT NAME		SHEET	
PROD CAT		RFP	VHF50HN-MA-C		1 OF 1	

THESE COMMODITIES, TECHNOLOGY OR SOFTWARE WERE EXPORTED FROM THE UNITED STATES IN ACCORDANCE WITH THE EXPORT ADMINISTRATION REGULATIONS. DIVERSION CONTRARY TO U.S. LAW PROHIBITED.