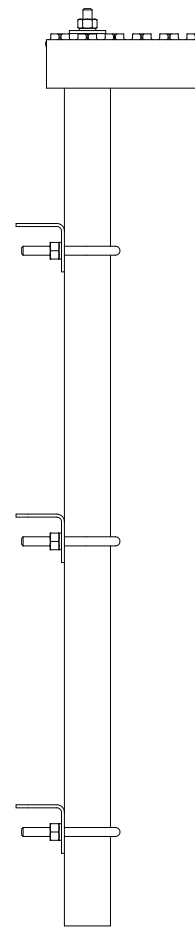
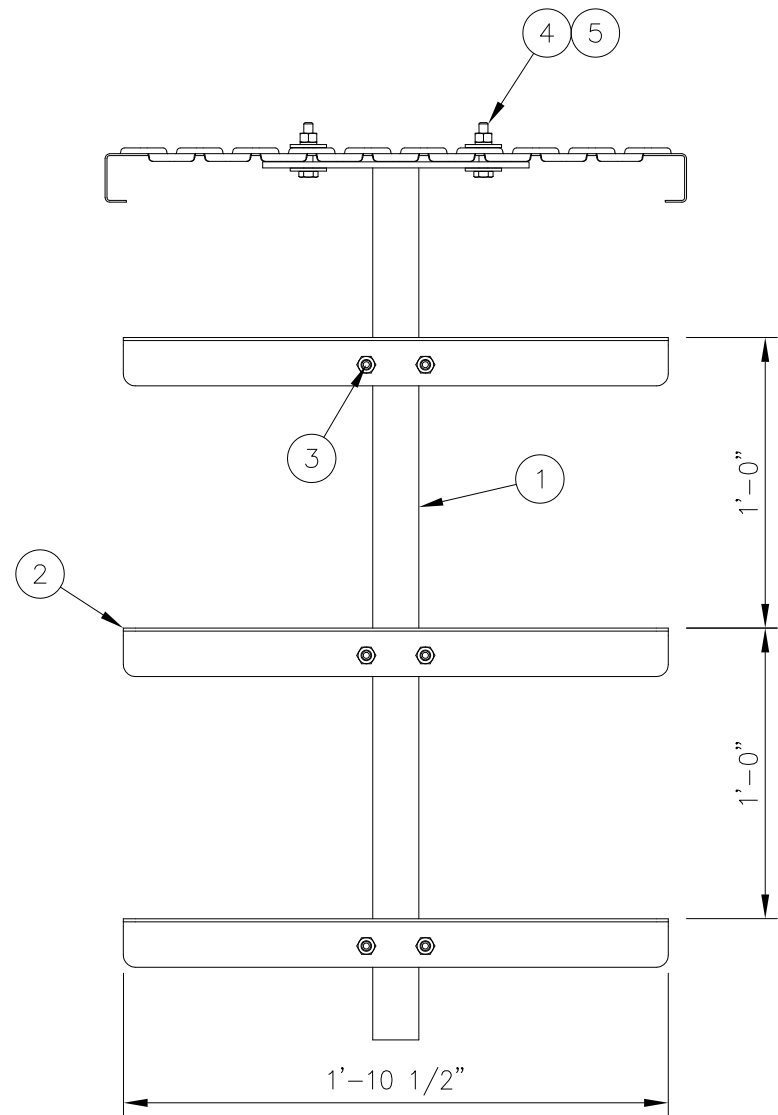
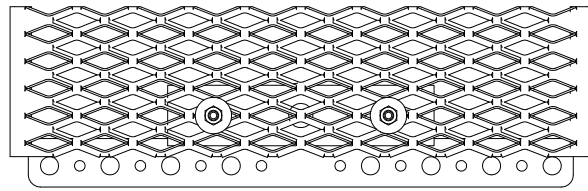


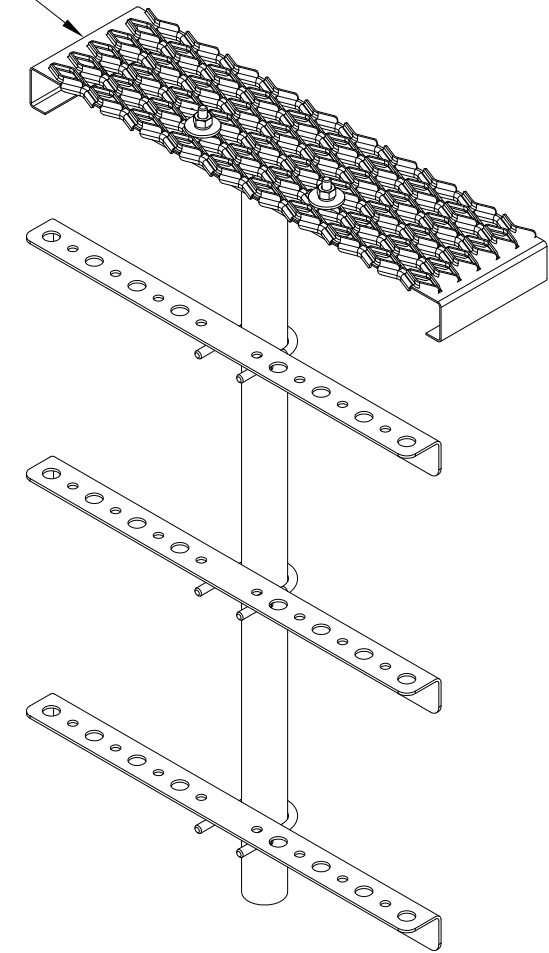
Parts List

ITEM	DESCRIPTION	QTY
1	WELDMENT, TRAPEZE	1
2	PLATE, WAVEGUIDE SUPPORT	3
3	3/8" X 2-1/2" X 4" GALV U-BOLT KIT	3
4	3/8" X 2" GALV BOLT KIT	2
5	FENDER WASHER, 3/8 X 1 1/2 X .097 H.D.G.	4

REVISIONS				
REV.	ECO	DESCRIPTION	BY	DATE
A	MTW	INITIAL RELEASE	ACG	02/18/10



WAVEGUIDE BRIDGE SHOWN TYP.



NOTES:

1. WEIGHT = 21.0 LBS

THIS DOCUMENT CONTAINS PROPRIETARY DATA OF WIRELESS SOLUTIONS. NO DISCLOSURE, REPRODUCTION, OR USE OF ANY PART THEREOF MAY BE MADE EXCEPT BY WRITTEN PERMISSION. ALL DIMENSIONS ARE IN INCHES U.O.S. TOLERANCES UNLESS OTHERWISE SPECIFIED: .X = ±.06 ANGLES ±2" .XX = ±.03 FRACTIONS ±1/32 .XXX = ±.010 REMOVE BURRS AND BREAK EDGES .005 DO NOT SCALE THIS PRINT	DRAWN BY: ACG	DATE: 02/18/10	PART NUMBER: WBT24-3
	CHECKED BY: CC	SHEET: 1 OF 1	DESCRIPTION: Triple Tee 24" Trapeze
	REVISION: A	SCALE: NTS	Drawing Type: Assembly Drawing
		MATERIAL: A36, A53	
	FINISH: Galv A123	474797	

