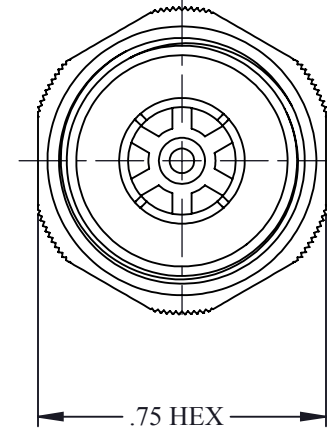
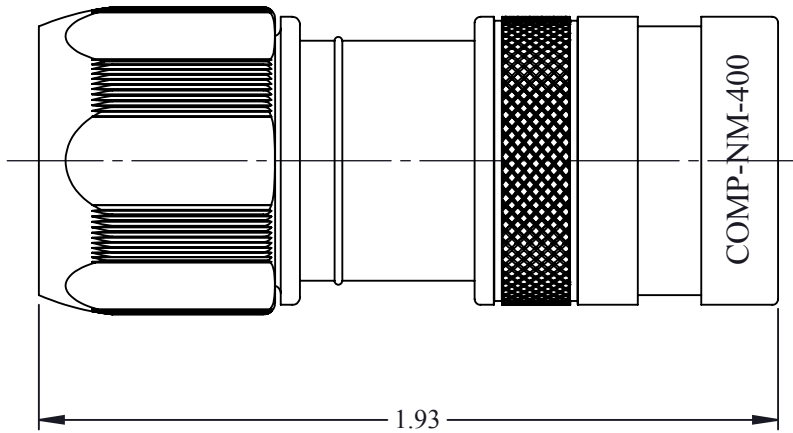


REV	DESCRIPTION	DATE	APPR
F1	CHANGED DWG FORMAT	10/14/15	JDMc



**SPECIFICATIONS:**

IMPEDANCE: 50 Ohms  
 FREQUENCY RANGE: 0-7.0 GHz  
 TEMPERATURE RANGE: -55°C TO 85°C  
 WATERPROOF DESIGN: IP68 RATED

<table border="1"> <tr> <td>10</td> <td>11831-01</td> <td>INSTALLATION GUIDE, 50 OHM, BRAIDED</td> <td>.005</td> </tr> <tr> <td>9</td> <td>11563-01</td> <td>GASKET, 50 OHM, N MALE, 400</td> <td>1</td> </tr> <tr> <td>8</td> <td>11562-01</td> <td>NUT RETAINER, 50 OHM, N MALE, 400</td> <td>1</td> </tr> <tr> <td>7</td> <td>11561-01</td> <td>COMPRESSION RING, 50 OHM, N MALE, 400</td> <td>1</td> </tr> <tr> <td>6</td> <td>11560-01</td> <td>CONTACT, 50 OHM, N MALE, 400</td> <td>1</td> </tr> <tr> <td>5</td> <td>11559-01</td> <td>POST, 50OHM, N MALE, 400</td> <td>1</td> </tr> <tr> <td>4</td> <td>11558-01</td> <td>CLAMP, 50 OHM, N MALE, 400</td> <td>1</td> </tr> <tr> <td>3</td> <td>11557-01</td> <td>INSULATOR, 50 OHM, N MALE, 400, 500</td> <td>1</td> </tr> <tr> <td>2</td> <td>11556-01</td> <td>NUT, 50 OHM, N MALE</td> <td>1</td> </tr> <tr> <td>1</td> <td>11555-01</td> <td>BODY, 50 OHM, N MALE, 400</td> <td>1</td> </tr> <tr> <td>#</td> <td>PART #</td> <td>DESCRIPTION</td> <td>QTY</td> </tr> </table>				10	11831-01	INSTALLATION GUIDE, 50 OHM, BRAIDED	.005	9	11563-01	GASKET, 50 OHM, N MALE, 400	1	8	11562-01	NUT RETAINER, 50 OHM, N MALE, 400	1	7	11561-01	COMPRESSION RING, 50 OHM, N MALE, 400	1	6	11560-01	CONTACT, 50 OHM, N MALE, 400	1	5	11559-01	POST, 50OHM, N MALE, 400	1	4	11558-01	CLAMP, 50 OHM, N MALE, 400	1	3	11557-01	INSULATOR, 50 OHM, N MALE, 400, 500	1	2	11556-01	NUT, 50 OHM, N MALE	1	1	11555-01	BODY, 50 OHM, N MALE, 400	1	#	PART #	DESCRIPTION	QTY	UNLESS OTHERWISE SPECIFIED  ALL DIMENSIONS ARE FOR REFERENCE ONLY. ALL DIMENSIONS ARE IN INCHES. INTERPRET DIMENSIONS PER ASME Y14.5M-1994.			<table border="1"> <tr> <td>NAME</td> <td>DATE</td> </tr> <tr> <td>C. ZUÑIGA</td> <td>10/14/15</td> </tr> <tr> <td>APPROVED</td> <td></td> </tr> <tr> <td>CBL GROUP</td> <td>N/A</td> </tr> <tr> <td>CODE:</td> <td>001787</td> </tr> <tr> <td>MATERIAL:</td> <td>BRASS</td> </tr> <tr> <td>FINISH:</td> <td>WHITE BRONZE</td> </tr> </table>		NAME	DATE	C. ZUÑIGA	10/14/15	APPROVED		CBL GROUP	N/A	CODE:	001787	MATERIAL:	BRASS	FINISH:	WHITE BRONZE	<p><b>RF INDUSTRIES</b>                  7610 MIRAMAR RD. SAN DIEGO, CA. 92126                  858-549-6340 FAX 858-549-6345</p> <p>THESE DRAWINGS AND SPECIFICATIONS ARE THE PROPERTY OF RF INDUSTRIES LTD AND SHALL NOT BE REPRODUCED, COPIED OR USED AS A BASIS FOR MANUFACTURE OR SALE OF EQUIPMENT OR DEVICES WITHOUT WRITTEN PERMISSION.</p> <p><b>TITLE: N MALE FOR 400 CBL</b></p>	
10	11831-01	INSTALLATION GUIDE, 50 OHM, BRAIDED	.005																																																																	
9	11563-01	GASKET, 50 OHM, N MALE, 400	1																																																																	
8	11562-01	NUT RETAINER, 50 OHM, N MALE, 400	1																																																																	
7	11561-01	COMPRESSION RING, 50 OHM, N MALE, 400	1																																																																	
6	11560-01	CONTACT, 50 OHM, N MALE, 400	1																																																																	
5	11559-01	POST, 50OHM, N MALE, 400	1																																																																	
4	11558-01	CLAMP, 50 OHM, N MALE, 400	1																																																																	
3	11557-01	INSULATOR, 50 OHM, N MALE, 400, 500	1																																																																	
2	11556-01	NUT, 50 OHM, N MALE	1																																																																	
1	11555-01	BODY, 50 OHM, N MALE, 400	1																																																																	
#	PART #	DESCRIPTION	QTY																																																																	
NAME	DATE																																																																			
C. ZUÑIGA	10/14/15																																																																			
APPROVED																																																																				
CBL GROUP	N/A																																																																			
CODE:	001787																																																																			
MATERIAL:	BRASS																																																																			
FINISH:	WHITE BRONZE																																																																			
<p><b>RoHS COMPLIANT</b></p>				SCALE	DWG. NO.	SHEET	REV																																																													
				NTS	COMP-NM-400	1 OF 1	F1																																																													