

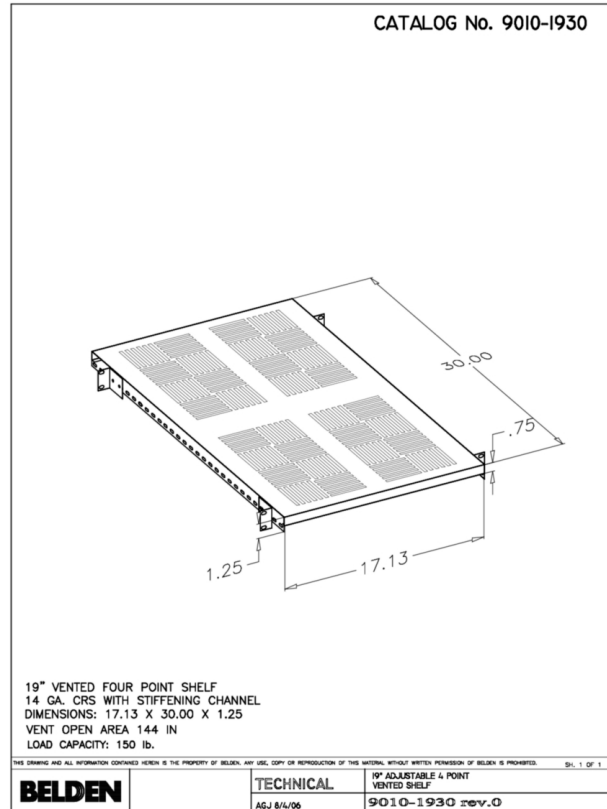
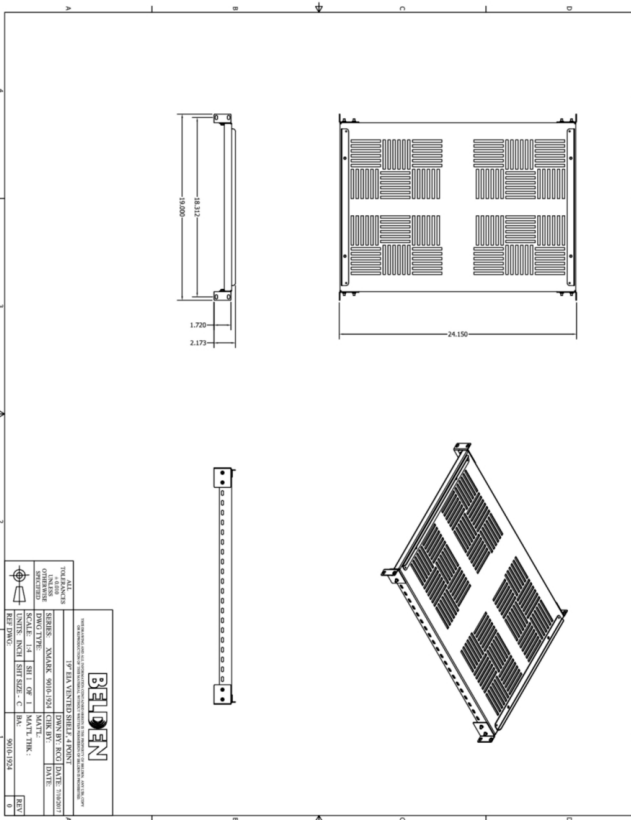
Product: [SHELVING](#)

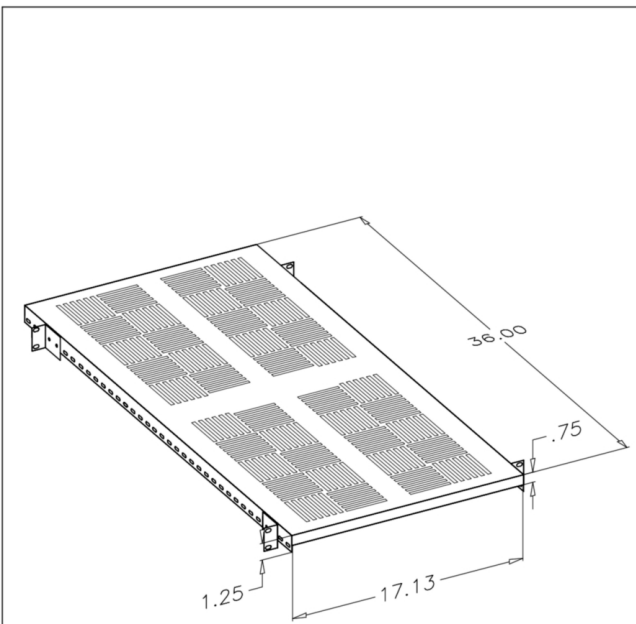
## 19" Mounting Cabinet & Rack Shelves

### Product Description

Cabinet & Rack Shelves

### Technical Drawing

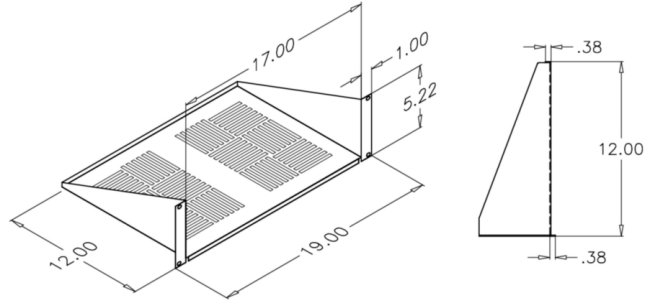




19" VENTED FOUR POINT SHELF  
 14 GA. CRS WITH STIFFENING CHANNEL  
 DIMENSIONS: 17.13 X 36.00 X 1.25  
 VENT OPEN AREA 180 IN<sup>2</sup>  
 LOAD CAPACITY: 150 lb.

THIS DRAWING AND ALL INFORMATION CONTAINED HEREIN IS THE PROPERTY OF BELDEN. ANY USE, COPY OR REPRODUCTION OF THIS MATERIAL WITHOUT WRITTEN PERMISSION OF BELDEN IS PROHIBITED. SH. 1 OF 1

<b>BELDEN</b>	TECHNICAL	19" EIA RACK SHELF
	JWP 02/14/00	9010-1936



19" FLUSH VENTED CANTILEVERED SHELF  
 14 GA. CRS CONSTRUCTION  
 SHELF DIMENSIONS: 17.00 X 12.06 X 5.22  
 VENT OPEN AREA 53 IN<sup>2</sup>  
 LOAD CAPACITY: 50 lb.

THIS DRAWING AND ALL INFORMATION CONTAINED HEREIN IS THE PROPERTY OF BELDEN. ANY USE, COPY OR REPRODUCTION OF THIS MATERIAL WITHOUT WRITTEN PERMISSION OF BELDEN IS PROHIBITED. SH. 1 OF 1

<b>BELDEN</b>	TECHNICAL	3 RACK UNIT CANTILEVERED SHELF
	AGJ 3/25/04	9011-1912 rev.1

7010 CATALOG No. 9011-1918

19" FLUSH VENTED CANTILEVERED SHELF  
 14 GA. CRS CONSTRUCTION  
 COLOR: BLACK POWDERCOAT  
 SHELF DIMENSIONS: 17.00 X 12.12 X 5.22  
 VENT OPEN AREA 72 IN<sup>2</sup>  
 LOAD CAPACITY: 75 lb.

7010  
 XL EIA SHELVES

**BELDEN**  
 HANDLING ALL THE RIGHT SIGNALS

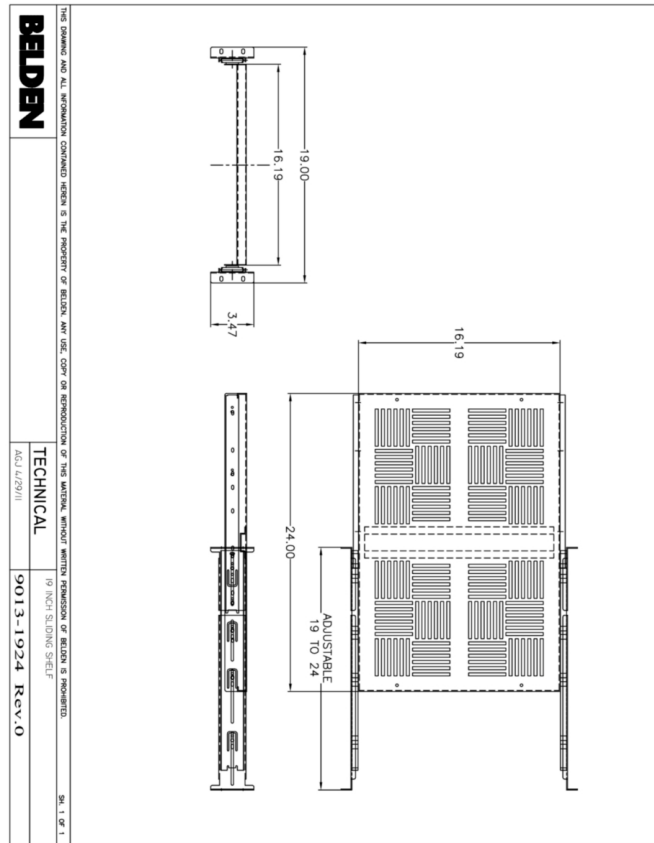
02/14/00 9011-1918

7010-16-A CATALOG No. 9011-1918-16

19" FLUSH VENTED CANTILEVERED SHELF  
 16 GA. CRS CONSTRUCTION  
 COLOR: BLACK POWDERCOAT  
 SHELF DIMENSIONS: 17.00 X 12.12 X 5.22  
 VENT OPEN AREA 72 IN<sup>2</sup>  
 LOAD CAPACITY: 50 lb.

9011-1918-16 REV. A 02/14/00  
 XL EIA SHELVES 7010-16-A

**BELDEN**  
 HANDLING ALL THE RIGHT SIGNALS

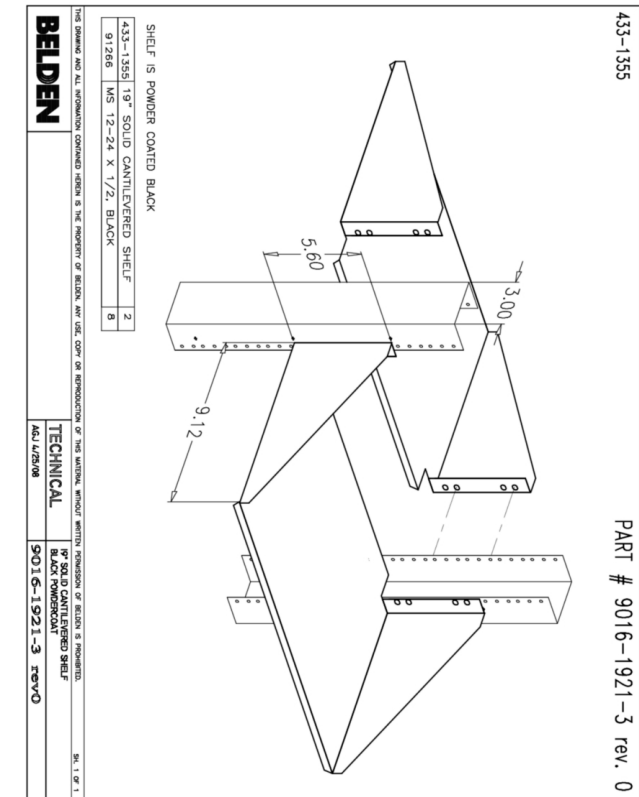
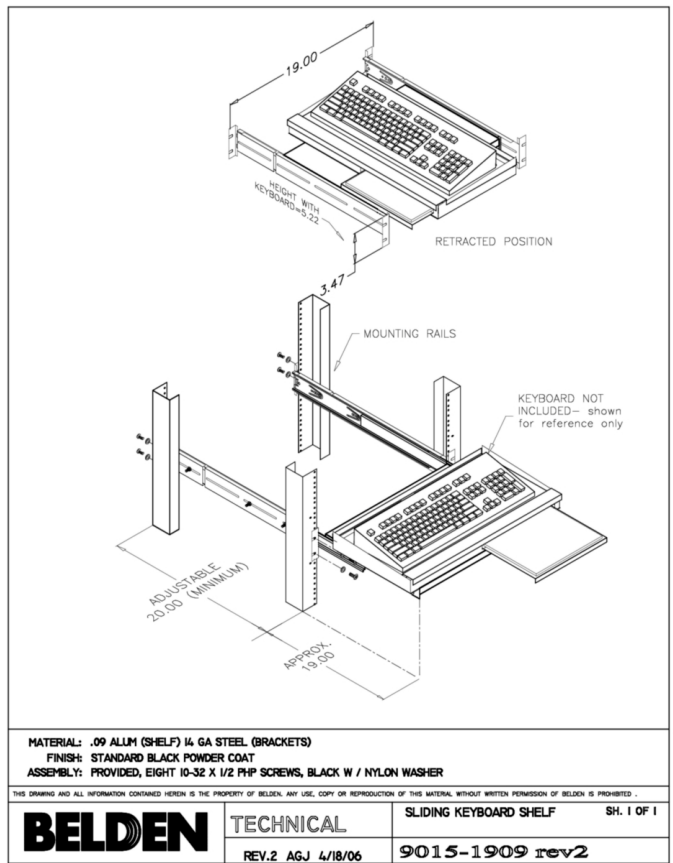


THE DRAWING AND ALL INFORMATION CONTAINED HEREIN IS THE PROPERTY OF BELDEN. ANY USE, COPY OR REPRODUCTION OF THIS MATERIAL WITHOUT WRITTEN PERMISSION OF BELDEN IS PROHIBITED. SH. 1 OF 1

**BELDEN**

TECHNICAL AGJ 4/29/11

9013-1924 Rev. 0



THE DRAWING AND ALL INFORMATION CONTAINED HEREIN IS THE PROPERTY OF BELDEN. ANY USE, COPY OR REPRODUCTION OF THIS MATERIAL WITHOUT WRITTEN PERMISSION OF BELDEN IS PROHIBITED. SH. 1 OF 1

**BELDEN**

TECHNICAL AGJ 4/29/08

9016-1921-3 Rev. 0

## Technical Specifications

### Application

Features:	Compatible with 19" mount racks and cabinets
Features:	Available in depths of 12" to 36" cantilevered or 4-point mount types

Features:	Shelves include mounting hardware
Features:	Load ratings range from 25 lbs to 200 lbs
Features:	Standard shelf color is black
Environmental Space:	Indoor

## Environmental and Overall Characteristics

Finish:	Medium Texture Powdercoat Finish
Material:	Steel and/or aluminum

## Part Number

Included Parts:	Mounting hardware
Packaging:	Individually Boxed

## Variants

Item #	Description	Depth	Rack Units	Mounting	Finish	Load Rating	Application
9012-1918-16	Flush Mount Cantilevered Shelf, Solid	18.0 in	3U	2 Pt. Mounting	Black Powdercoat Finish	25#	Rack & Cabinet
9016-1921	Cantilevered Center Shelf Kit, 2 pcs	21.0 in	3U	2 Pt. Mounting	Aluminum	50#	Rack
9011-1912	Flush Mount Cantilevered Shelf, Vented	12.0 in	3U	2 Pt. Mounting	Black Powdercoat Finish	50#	Rack & Cabinet
9011-1918	Flush Mounting Cantilevered Shelf, Vented	18.0 in	3U	2 Pt. Mounting	Black Powdercoat Finish	50#	Rack & Cabinet
9011-1918-16	Flush Mount Cantilevered Shelf, Vented	18.0 in	3U	2 Pt. Mounting	Black Powdercoat Finish	25#	Rack & Cabinet
9012-1918	Flush Mount Cantilevered Shelf, Solid	18.0 in	3U	2 Pt. Mounting	Black Powdercoat Finish	50#	Rack & Cabinet
9016-1921-3	Cantilevered Center Shelf Kit, 2 pcs	21.0 in	3U	2 Pt. Mounting	Medium Texture Powdercoat Finish	50#	Rack
RMD2	Rack Mount Drawer w/lock	16.0 in	2U	2 Pt. Mounting	Medium Texture Powdercoat Finish	25#	Cabinet
RMD3	Rack Mount Drawer w/lock	16.0 in	3U	2 Pt. Mounting	Medium Texture Powdercoat Finish	25#	Cabinet
RMD4	Rack Mount Drawer w/lock	16.0 in	4U	2 Pt. Mounting	Medium Texture Powdercoat Finish	25#	Cabinet
9013-1924	Heavy-Duty Sliding Adjustable Shelf, Vented, 4-Point Mounting	24.0 in	2U	4 Pt. Mounting	Black Powdercoat Finish	100#	Rack & Cabinet
9010-1924	19" Heavy-Duty Adjustable Shelf (Vented), 4-Point Mounting	24.0 in	1U	4 Pt. Mounting	Black Powdercoat Finish	150#	Rack & Cabinet
9010-1930	19" Heavy-Duty Adjustable Shelf (Vented), 4-Point Mounting	30.0 in	1U	4 Pt. Mounting	Black Powdercoat Finish	150#	Rack & Cabinet
9010-1936	19" Heavy-Duty Adjustable Shelf (Vented), 4-Point Mounting	36.0 in	1U	4 Pt. Mounting	Black Powdercoat Finish	150#	Rack & Cabinet
9015-1909	Sliding Rotating Keyboard Shelf	24.0 in	2U	4 Pt. Mounting	Black Powdercoat Finish		Rack & Cabinet

Update and Revision: Revision Number: 0.193 Revision Date: 08-17-2020

© 2021 Belden, Inc

All Rights Reserved.

Although Belden makes every reasonable effort to ensure their accuracy at the time of this publication, information and specifications described here in are subject to error or omission and to change without notice, and the listing of such information and specifications does not ensure product availability.

Belden provides the information and specifications herein on an "ASIS" basis, with no representations or warranties, whether express, statutory or implied. In no event will Belden be liable for any damages (including consequential, indirect, incidental, special, punitive, or exemplary damages) whatsoever, even if Belden has been advised of the possibility of such damages, whether in an action under contract, negligence or any other theory, arising out of or in connection with the use, or inability to use, the information or specifications described herein.

All sales of Belden products are subject to Belden's standard terms and conditions of sale.

Belden believes this product to be in compliance with all applicable environmental programs as listed in the data sheet. The information provided is correct to the best of Belden's knowledge, information and belief at the date of its publication. This information is designed only as a general guide for the safe handling, storage, and any other operation of the product itself or the one that it becomes a part of. The Product Disclosure is not to be considered a warranty or quality specification. Regulatory information is for guidance purposes only. Product users are responsible for determining the applicability of legislation and regulations based on their individual usage of the product.