

REVISIONS				
REV.	DESCRIPTION	ECN	DATE	APPROVED
E	REFER TO ECN			

MAXIMUM CHARACTERISTICS

Application:

The TSJ-48-CLT Surge Suppressor is a high-speed, high-current, solid-state device designed to protect equipment from transient over voltages on data lines. Continuous bi-polar, bi-directional, non-interrupting protection is provided. The TSJ-48-CLT automatically resets after each suppression function with no degradation of protection capabilities. This suppressor utilizes silicon junction avalanche suppressor diodes as its sole suppression technology. The unit is fused as required by UL 497A. At maximum power dissipation the suppressor will not exceed the maximum voltage protection level. It is housed inside a non-metallic enclosure with a U.L. fire rating of 94-5V. It attaches via two modular RJ48C receptacles of two (2) four position terminal blocks. It includes a ground stud that must be connected to system ground.

Electrical Performance:

Connector Style: RJ45

Data Rate: 1.44/2.048 Mb/s

Protected RJ 45 Pins: (1,2) and (4,5)

Protection Modes: L-L & L-G

Nominal Operating Voltage: 5V_{DC}

Maximum Continuous Operating Voltage: 12V peak

Maximum Surge Capability: 100A 10/1000ms per Telcordia GR-1089-CORE

Maximum Voltage Protection Level: 25V peak @ 100A 10/1000ms

Response Time (Max): 5 nanoseconds

Leakage @ Max Voltage: 5.0 microamps

Attenuation: -3db @ 90MHZ

Fusing: per UL497A

Safety: Approved to UL 497A

Mechanical:

Enclosure Description: The suppressor is housed inside a black, non-metallic module rated to U.L. 94-5V.

Dimensions: shown in above view

Weight: 2.5oz [.07kg]

Installation Requirements:

Connections: One (1) RJ 48C receptacle (input), one (1) RJ 48C receptacle (output) or one (1) four position terminal block (input) and one (1) four position terminal block (output) [both sized for 12 to 28 gauge wire] and one ground lug (1/4-20).

NOTE: Cut the ground lead as short as possible for optimum suppression.

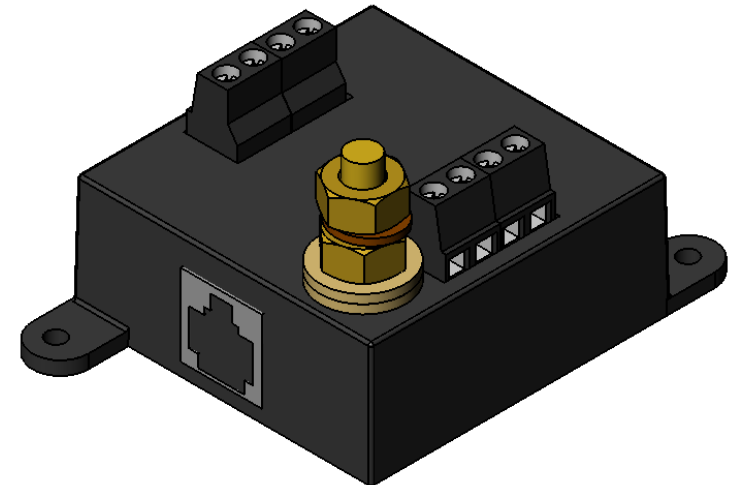
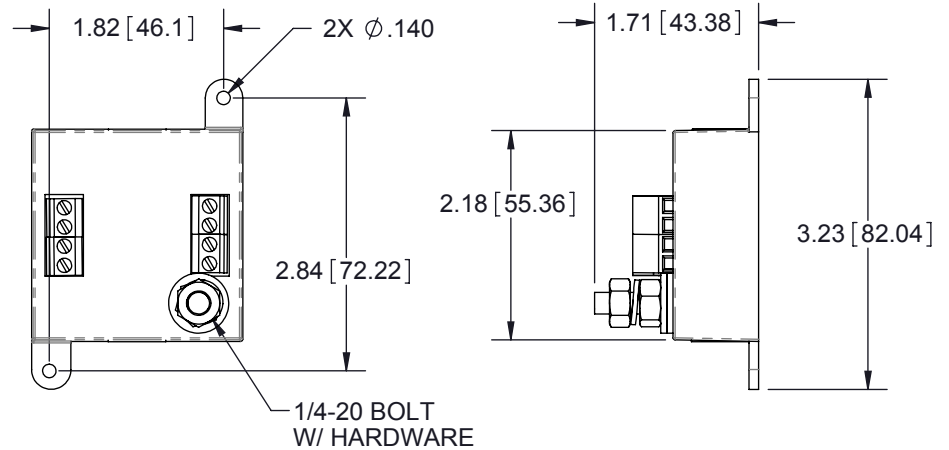
Environmental:

Operating/Storage temperature: -30°C to +65°C

Relative Humidity: 90% (non-condensing)

Ventilation: Suppressor shall be installed in an area free from direct sun loading, with a maximum ambient temperature of +65°C.

Part Number: 1101-300-1



CUSTOMER APPROVAL: _____ DATE: _____

ALL DIMENSIONS SHOWN ARE FOR REFERENCE ONLY.

<small>UNLESS OTHERWISE SPECIFIED LEADING DIMENSIONS ARE INCHES DIMENSIONS IN [] ARE MILLIMETERS</small> <small>TOLERANCES: FRACTIONS=± 1/32 .XX=± .01 ANGLES=± 1° .XXX=± .005</small> <small>NOTICE: THE INFORMATION AND DESIGN IN THIS DOCUMENT IS THE PROPERTY OF TRANSECTOR SYSTEMS. ALL RIGHTS RESERVED.</small> <small>THIRD-ANGLE PROJECTION</small> 	<small>DRAWN</small> JDW 11/26/97	<small>DATE</small> 11/26/97			<small>SHEET</small> 1 OF 1	
	<small>ENG APPD</small> JAH 12/19/97	<small>PRODUCT MGR</small> JAH 12/19/97			<small>TITLE</small> TSJ 48-CLT SPECIFICATION CUSTOMER SPECIFICATION	<small>SCALE</small> 1:2
	<small>MARKETING APPD</small> DLR 12/19/97	<small>PROJECT NO.</small> 	<small>SIZE</small> A	<small>CAGE</small> 30992	<small>PROD CAT</small> DST	<small>PART NUMBER</small> 1400-281
	<small>DOCUMENT NAME</small> 1400-281-C	<small>REV</small> E				

THESE COMMODITIES, TECHNOLOGY OR SOFTWARE WERE EXPORTED FROM THE UNITED STATES IN ACCORDANCE WITH THE EXPORT ADMINISTRATION REGULATIONS. DIVERSION CONTRARY TO U.S. LAW PROHIBITED.