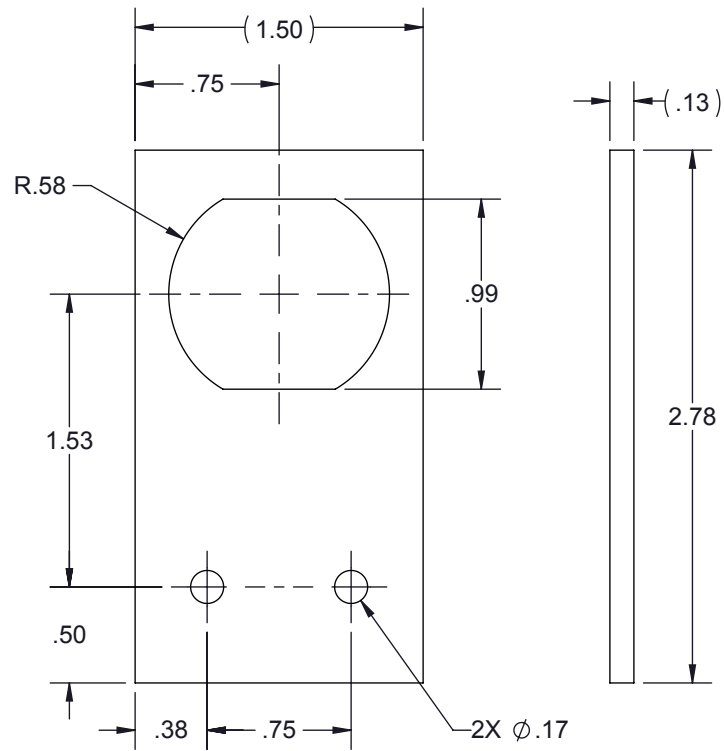
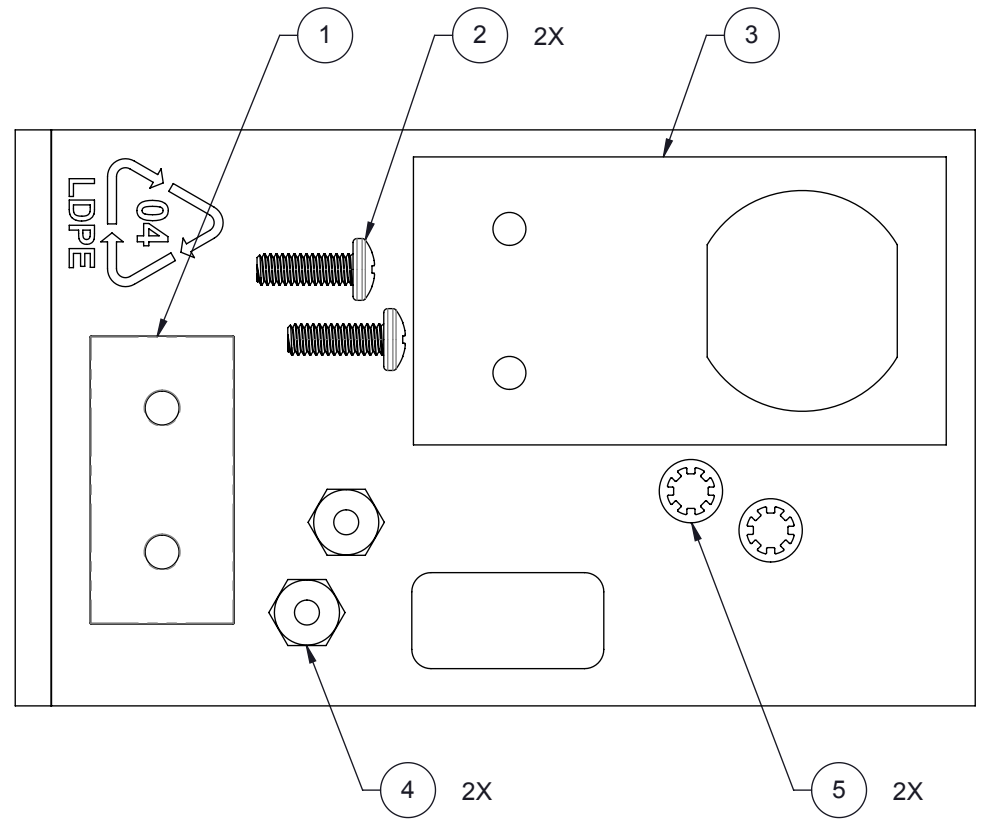


REVISIONS				
REV.	DESCRIPTION	ECN	DATE	APPROVED
B	REFER TO ECN	12527	4/17/14	KCB



MOUNTING PATTERN



ITEM	QTY.	DESCRIPTION
1	1	GSA SANDWICH PLATE
2	2	SCREW 8-32x.50 PHIL MS PAN 18-8 SS
3	1	BRACKET MOUNT FLAT DIN AL
4	2	NUT 8-32 HEX 18-8 SS
5	2	WASHER #8 410 SS INTERNAL

CUSTOMER APPROVAL: _____ DATE: _____

ALL DIMENSIONS SHOWN ARE FOR REFERENCE ONLY.

<small>UNLESS OTHERWISE SPECIFIED LEADING DIMENSIONS ARE INCHES DIMENSIONS IN [] ARE MILLIMETERS</small> TOLERANCES: FRACTIONS=± 1/32 .XX=± .03 ANGLES=± 1° .XXX=± .010 <small>NOTICE: THE INFORMATION AND DESIGN IN THIS DOCUMENT IS THE PROPERTY OF POLYPHASER CORPORATION. ALL RIGHTS RESERVED.</small>	DRAWN IB 4/11/00		SHEET 1 OF 1
	ENG APPD RCD 5/22/00		SCALE 1:1
PROJECT NO.	MARKETING APPD JLJ 5/22/00 PH 5/22/00	TITLE KIT GND STRAP ADAPTER DIN <small>CUSTOMER SPECIFICATION</small>	
THIRD-ANGLE PROJECTION 	DOCUMENT NAME GSA-KIT-D-C	SIZE A	CAGE 30992
	PROD CAT GRP	PART NUMBER GSA-KIT-D	REV B

THESE COMMODITIES, TECHNOLOGY OR SOFTWARE WERE EXPORTED FROM THE UNITED STATES IN ACCORDANCE WITH THE EXPORT ADMINISTRATION REGULATIONS. DIVERSION CONTRARY TO U.S. LAW PROHIBITED.