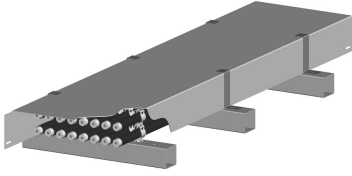


# RT-CB4D

---



Rooftop Cover Kits for SnapStak® Snap-in Hangers, four holes

## Product Classification

**Product Type** Cover

## General Specifications

**Cable Runs, quantity** 4

**Hole, quantity** 4

**Mounting** Non-penetrating

## Dimensions

**Height** 279.4 mm | 11 in

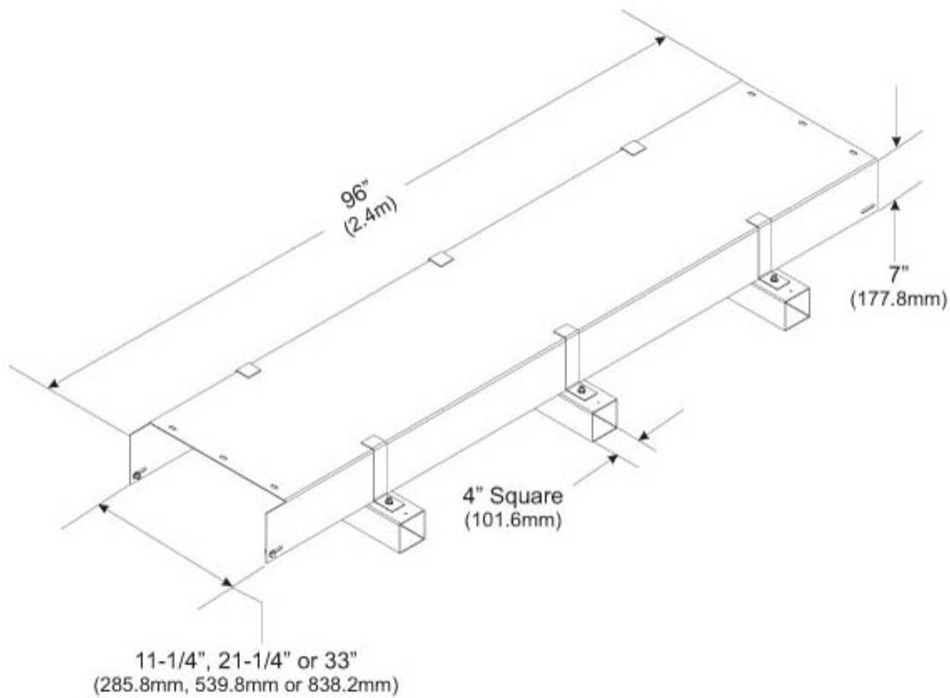
**Width** 508 mm | 20 in

**Length** 2,438.4 mm | 96 in

**Hole Size** 3/4 in

# RT-CB4D

## Outline Drawing



## Material Specifications

**Material Type** Galvanized steel

## Mechanical Specifications

**Wind Rating** For Specifications, please contact [steelproducts@commscope.com](mailto:steelproducts@commscope.com) or call 800-255-1479

## Packaging and Weights

**Included** Channel | Hardware | Hold-down clamps | Sleepers (3)

**Packaging quantity** 1

**Weight, net** 39 kg | 85.98 lb

## Regulatory Compliance/Certifications

**Agency**

ISO 9001:2015

**Classification**

Designed, manufactured and/or distributed under this quality management system

# RT-CB4D

---



## \* Footnotes

### **Wind Rating**

BWS—w Base Wind Speed; FBC—Florida Building Code