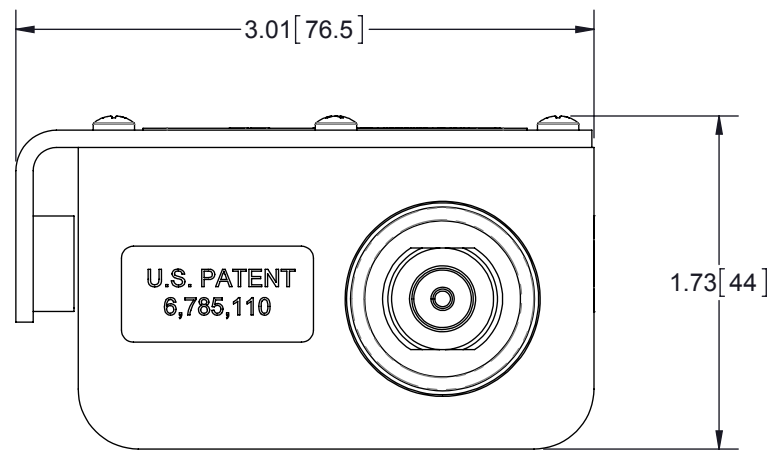
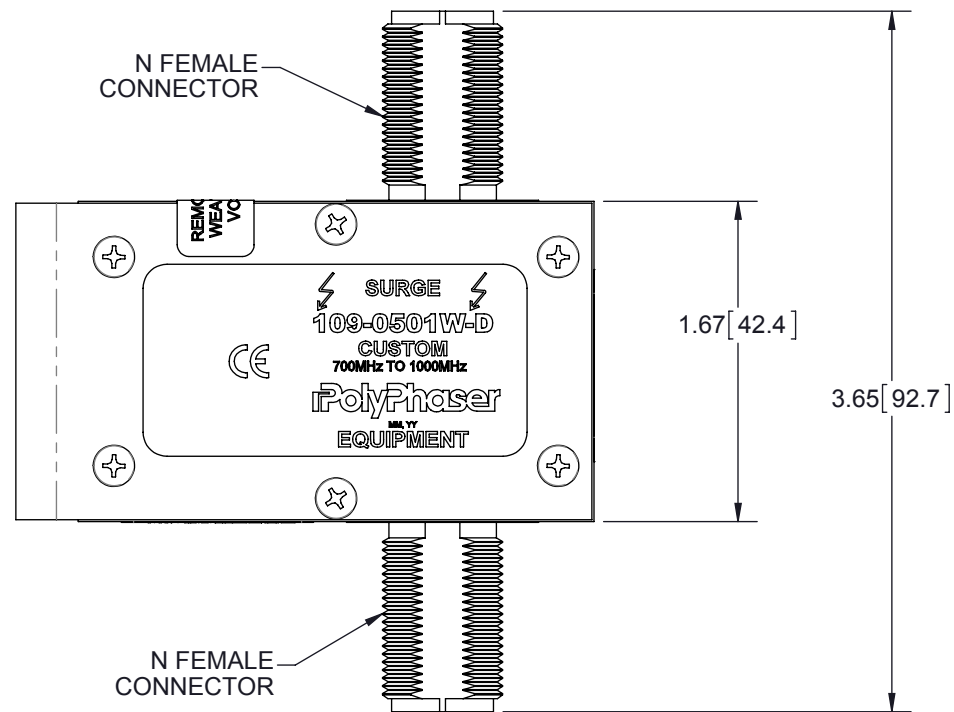
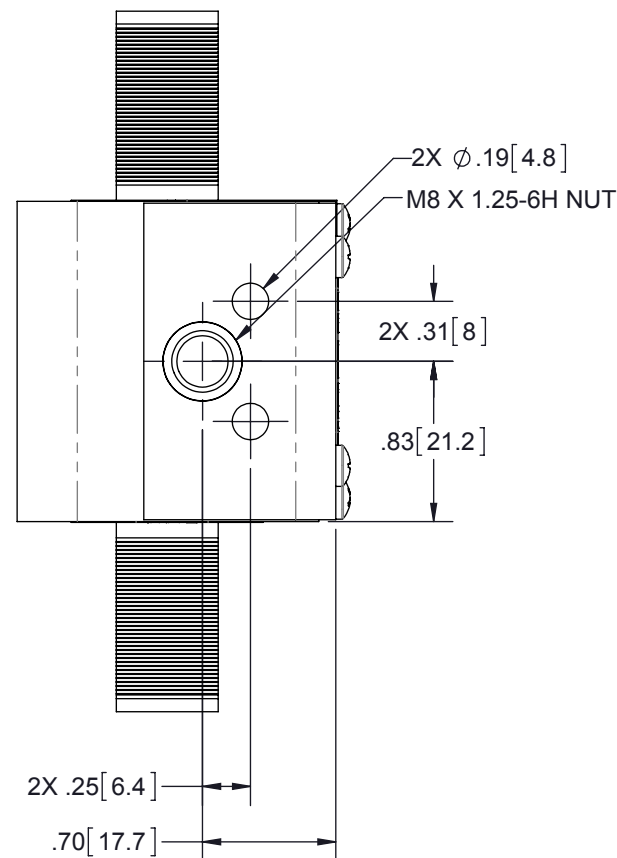


REVISIONS				
REV.	DESCRIPTION	ECN	DATE	APPROVED
B	REFER TO ECN	11913	8/8/13	KCB



HARDWARE KIT INCLUDES:

QTY	DESCRIPTION
1	WASHER 5/16 EXT 18-8 SS
1	SCREW CAP M8X1.25X10MM
1	SILICONE O-RING 019
1	WASHER 5/8 410 SS
1	NUT 5/8-24 303 HEX SS

**MAXIMUM CHARACTERISTICS**

**Application:**  
Weatherized, Flange or Bulkhead Mount

**Electrical Performance:**  
 Frequency Range: RF: 700MHz to 1000MHz  
 VSWR: ≤1.1:1  
 Insertion Loss: ≤0.1dB @ 700MHz to 1000MHz  
 Telemetry: 2.176MHz  
 Return Loss: ≥18dB  
 Insertion Loss: ≤0.4dB  
 Power: 750W RMS Average  
 P.I.P. (Peak Instantaneous Power): 27kW Max.  
 Turn On: +16.5Vdc  
 Turn On Time: 4ns For 2kV/ns  
 Max Surge: 20kA IEC 61000-4-5 8/20µs Waveform  
 Throughput Energy: ≤500µJ for 3kA @ 8/20µs Waveform  
 User Voltage: +15Vdc  
 Usage Current: ≤4.0A Continuous

**Mechanical:**  
 Dimensions: 3.28" x 3.01" x 1.73"  
 Weight: .5lbs

**Environmental:**  
 Meets IEC 60529 IP67  
 Meets Bellcore #TA-NWT-000487  
 Procedure 4.11, Wind Driven (120mph) Rain Intrusion Test.  
 Operating temperature: -50°C to +85°C  
 Relative Humidity: To 95%

RoHS Compliant

CUSTOMER APPROVAL: \_\_\_\_\_ DATE: \_\_\_\_\_

ALL DIMENSIONS SHOWN ARE FOR REFERENCE ONLY.

THESE COMMODITIES, TECHNOLOGY OR SOFTWARE WERE EXPORTED FROM THE UNITED STATES IN ACCORDANCE WITH THE EXPORT ADMINISTRATION REGULATIONS. DIVERSION CONTRARY TO U.S. LAW PROHIBITED.

UNLESS OTHERWISE SPECIFIED LEADING DIMENSIONS ARE INCHES DIMENSIONS IN [ ] ARE MILLIMETERS		DRAWN DPM 11/8/12			
TOLERANCES: FRACTIONS=± 1/32 .XX=± .03 ANGLES=± 1° .XXX=± .010		ENG APPD KCB 11/08/12			
MATERIAL		PRODUCT MGR SJD 11/12/12			
THIRD-ANGLE PROJECTION		MARKETING APPD LJ 12/12/12			
PROJECT NO.		TITLE 700-1000MHz 2.176MHz F/F			
NOTICE: THE INFORMATION AND DESIGN IN THIS DOCUMENT IS THE PROPERTY OF TRANSTECTOR SYSTEMS. ALL RIGHTS RESERVED.		SIZE B	CAGE 61114	CUSTOMER SPECIFICATION PART NUMBER 109-0501W-D	
SCALE 1:1		PROD CAT RFP	DOCUMENT NAME 109-0501W-D	REV B	SHEET 1 OF 1