

8 7 6 5 4 3 2 1

REVISIONS			
REV.	DESCRIPTION	DATE	APPROVED
1	V1.0	28/9/15	Chad
2			
3			

1. INTERFACE DIMENSIONS CONFORMABLE TO THE STANDARDS: IEC 60169-16

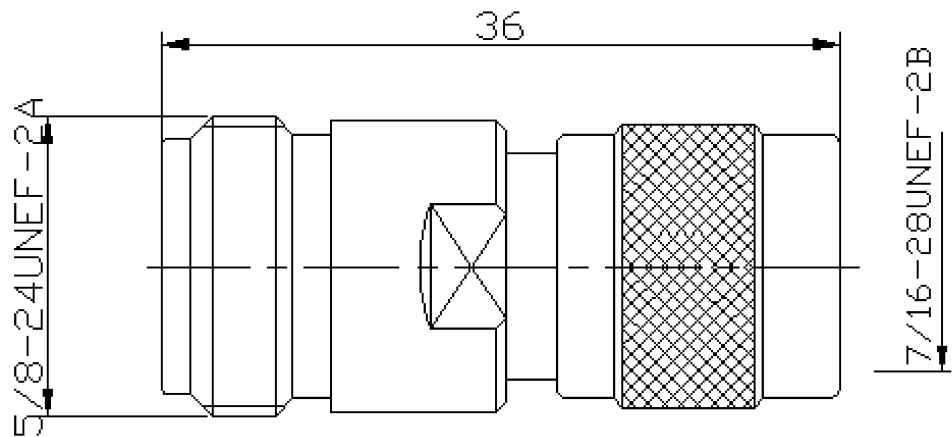
2. MATERIAL AND PLATING:

1	Nut	Brass, nickel plated
2	Gaskets	Silicone rubber
3	Body	Brass, trimetal plated
4	Insulator	PTFE
5	Center contact	Bronze, silver plated

3. ELECTRICAL DATA :

1	Impedance	50 Ω
2	Frequency	DC-3G
3	VSWR	<1.13
4	Dielectric withstanding voltage	1500V
5	Insulation resistance	>5000MΩ
6	Contact resistance :	
	centre contact	<1.5MΩ
	outer contact	<0.4MΩ

4. DURABILITY: ≥500



D

C

B

A

D

C

B

A

8 7 6 5 4 3 2 1

CONFIDENTIAL AND PROPRIETARY  
 THE INFORMATION CONTAINED HEREIN IS THE CONFIDENTIAL AND THE EXCLUSIVE PROPERTY OF TESSCO TECHNOLOGIES INCORPORATED. THIS DOCUMENT, AND THE INFORMATION CONTAINED HEREIN, SHALL NOT BE COPIED, REPRODUCED, PUBLISHED, DISPLAYED OR DISTRIBUTED, IN WHOLE OR IN PART, IN ANY MEDIUM, BY ANY MEANS, FOR ANY PURPOSE WITHOUT THE EXPRESS WRITTEN CONSENT OF TESSCO TECHNOLOGIES INCORPORATED.

©2010 TESSCO TECHNOLOGIES INCORPORATED  
 ALL RIGHTS RESERVED

UNLESS OTHERWISE SPECIFIED:		DRAWN		 A Division of Tesco Technologies Incorporated			
TOLERANCES: ±.XX = ±.01 ±.XXX = ±.005 ±.XXXX = ±.0001 ±X.X* = ±*1.0		RESP ENG				TITLE: <b>N Female to TNC Male Adapter</b>	
CAD FEATURES ARE BASIC: DIMENSIONS ARE IN INCHES DIMENSIONS IN [ ] ARE IN MM INTERPRET GEOMETRIC TOLERANCING PER ANSI Y14.5 - 2009		APPR.					
3RD ANGLE PROJECTION		MATERIAL: SEE NOTES				VNV Part#.	
		FINISH: SEE NOTES		REV			
		SIZE	CAGE CODE	NF/TM			
		B	8J168	1			
		DO NOT SCALE DRAWING		SCALE: 1:5	SHEET 1 OF 1		