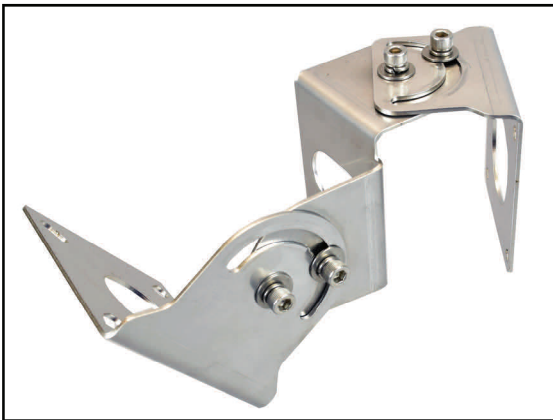


## Medium Strength Universal Articulating Mount

Ventev's **TerraWave Medium Strength Universal Articulating Mount** offers a rugged solution for pole or wall mounted antennas and other WLAN accessories that may be installed in challenging environmental conditions. The steel mount and accompanying mounting hardware create a strong, reliable mounting platform. The mount articulates horizontally and vertically for extremely flexible mounting positions. Compatible with the TerraWave Micro Patch Antenna for both indoor and outdoor applications. *All TerraWave products are covered by the company's two-year TerraNet warranty program. For questions and to purchase the product, contact a Regional Sales Executive at 210-375-8482, 800-851-4965 or sales@terrawave.com.*

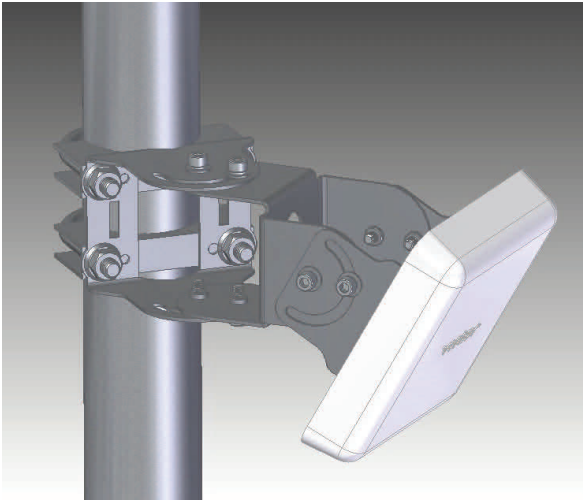


Specifications	
Model	TW-ART-MOUNT-MS
Dimensions	6" (L) x 3" (W) x 3"(H)
Weight	0.5 lbs
Material	Zinc-Plated Steel
Operating Temperature Range	-40°F x +158°F
Mounting Style	Pole or Wall Mount
Mast Diameter	2.125 to 2.5
Maximum Load	25 lbs.
Wind Speed Range	< = 100

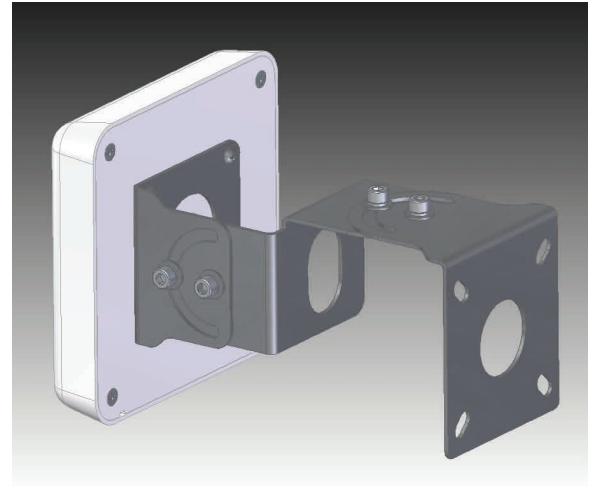
NOTE: Max load is a combination of antenna weight and wind strength

## Medium Strength Universal Articulating Mount

### Mounting Options



**Mast Mount**



**Wall Mount**