

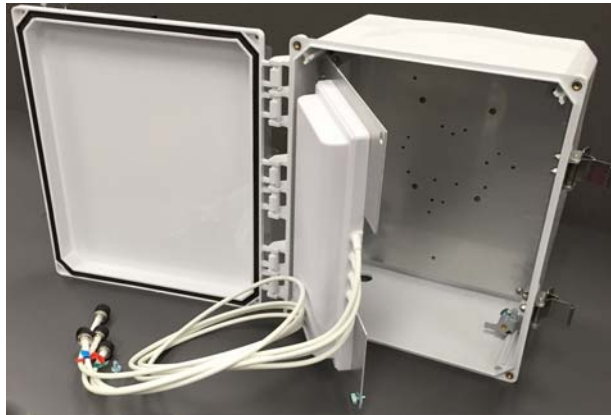
Polycarbonate Enclosure 12x10x6 With Integrated Patch Antenna—White

The TerraWave 12" x 10" x 6" White Enclosure with integrated patch antenna is constructed of polycarbonate plastic, making it a durable, extremely affordable solution. The enclosure features a solid door, latching locks and pre-drilled backplate. In addition, this enclosure has integrated antenna installed on a wing out panel inside the enclosure making it more compact to allow more efficient deployment of your AP. This NEMA 4X enclosure is intended for indoor or outdoor use to protect popular Wi-Fi access points from corrosion, dust, rain, extreme temperatures and unauthorized access or inadvertent contact with the controls and wiring located inside the enclosure

Every TerraWave enclosure is covered by the company's two-year TerraNet warranty program. For questions and to

System Highlights

- ◇ Robust aluminum back plate that allows for seamless integration with access points.
- ◇ Integrated patch antenna allows you to expand your Wi-Fi coverage.



12x10x6 Basic Enclosure with Integrated Patch Antenna

SKU # 508606

Part#: CV12106LO-ODP4T-W

Features and Benefits

- Protect RF equipment from elements, theft and tampering
- Includes mounting plate with pre-drilled holes to support wireless access points
- Operating temperature range: -40°F to +265°F
- Can be mounted indoors or outdoors to provide NEMA 4X protection
- Furnished hardware kit includes panel mounting screws
- Excellent value. Superior performance at a competitive price
- Additional accessories are available
- All TerraWave polycarbonate enclosures are RoHS compliant

Enclosure Construction

- Constructed of thermoplastic material
- UL F1 Rated for Outdoor UV Exposure

Finish

- Color is white with a gloss finish

Available Accessories

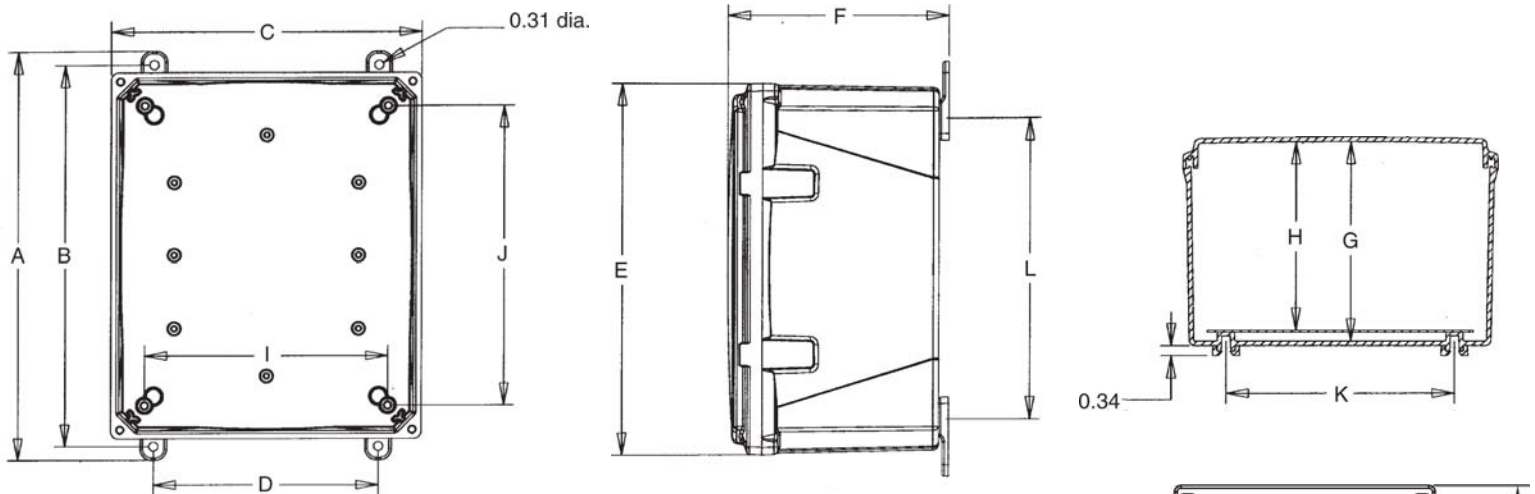
- Pole Mount Kit
- Wall Mount Kit
- Custom Jumpers
- NEMA Plug
- Lightning Protection



TerraWave's enclosures have been evaluated for compliance with the Reduction of Hazardous Substances (RoHS) Directive 2002/95 and have been determined to not contain substances in excess of RoHS Maximum Concentration Levels.

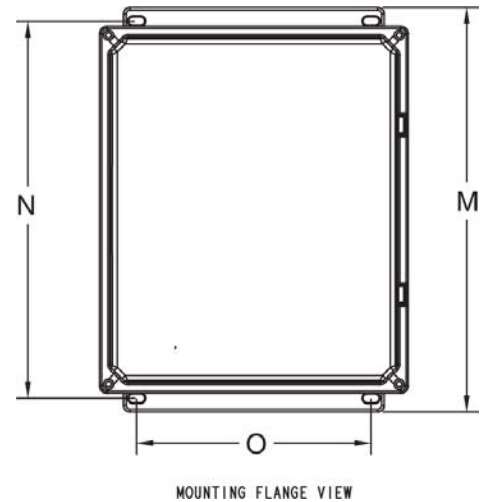
In addition to enclosures for wireless deployments, TerraWave can design custom enclosures for any application including IP cameras, switches, routers and more.

Polycarbonate Enclosure 12x10x6 With Integrated Patch Antenna—White



Enclosure Dimensions

Enclosure Size	A	B	C	D	E
12" x 10" x 6"	14.00"	13.13"	11.50"	7.60"	12.50"
	F	G	H	I x J	K
	7.25"	6.75"	6.25"	8.25" x 10.25"	7.60"
	L	M	N	O	Panel Size
	9.63"	13.69"	12.75"	8.00"	10.75" x 8.88"



A: Overall Length with Mounting Feet
B: Mounting Feet Hole Spacing/Length
C: Overall Width
D: Mounting Feet Hole Spacing/Width
E: Overall Enclosure Length
F: Overall Enclosure Height
G: Internal Height

H: Internal Height Above Backplate
I: Internal Panel Mounting Boss Width
J: Internal Panel Mounting Boss Length
K: Mounting Feet Attachment Boss Width
L: Mounting Feet Attachment Boss Length
M: Overall Length with Mounting Flange
N: Mounting Flange Hole Spacing/Length
O: Mounting Flange Hole Spacing/Width



TerraWave's polycarbonate enclosures have been evaluated for compliance with the Reduction of Hazardous Substances (RoHS) Directive 2002/95 and have been determined to not contain substances in excess of RoHS Maximum Concentration Levels.

*NEMA rating of enclosure only—before modifications and additions

**All TerraWave enclosures have been modified to work in Wi-Fi/WLAN applications

In addition to enclosures for wireless deployments, TerraWave can design custom enclosures for any application including IP cameras, switches, routers and more.