



Industrial RF Services
Comm / Cell Site Services
Tower Services

7280 Old State Route 21
Barnhart, MO 63012
636-789-9999
www.secondsightsystems.com

Antenna Pole/Wall Mount Z16B9R*



The Z16B9R is a cost-effective, versatile antenna mount that can be pole or wall mounted. It is well suited for several applications including Utility SCADA and Distribution Automation, Automated Meter Reading, and other Industrial RF Communications. This reinforced model is rated up to 170 MPH wind loading. Other custom models are available. Contact Second Sight Systems for details.



Pole Mount Installation
(Reinforced Model)



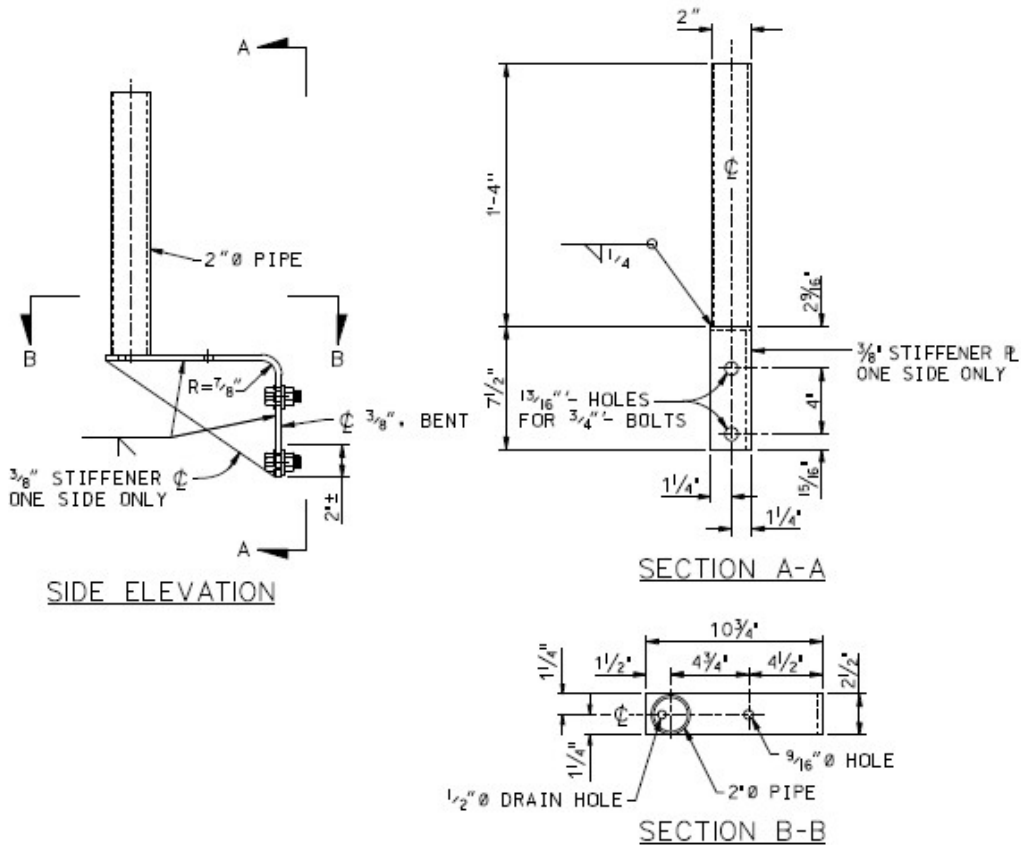
Wall Mount installation
(Standard Model)

*Patent Pending

Antenna Pole/Wall Mount Z16B9R*

Specifications

Mounting	Pole/Wall	
Material Type	6061 Aluminum	
Wind Loading	170 MPH 3-second gust per FBC2010 / IBC2012 / ASCE7-10	
Height (overall)	25 in	63.5 cm
Depth (overall)	9.5 in	24.1 cm
Pipe Outer Diameter	2.38 in	6.0 cm
Pipe Height	16 in	40.6 cm
Weight	4.1 lb	1.9 kg



*Patent Pending

