

I-Beam Spring Mount

The TerraWave I-Beam Spring Mount is designed to mount antennas on I-Beams in high-traffic areas. The mount spring allows the antenna to flex if bumped to prevent damage. The mount is made of low carbon steel and has a powder coat that provides environmental protection and aesthetic appeal. *Every TerraWave antenna is covered by the company's two-year TerraNet warranty program. For more information, contact a regional sales executive at 210-375-8482, 800-851-4965 or sales@terrawave.com, or visit www.terrawave.com.*



I-Beam Spring Mount with antenna (sold separately)

Mount with Antenna Specifications	
Model	TW-IBEAM-MOUNT
Dimensions	14" (L) x 2" (W) x 7.75" (H)
Weight	3.75 lbs
Material	Low Carbon Steel (with Powder Coat)
Operating Temperature Range	-40°F to +158°F
Mounting Style	I-Beam Clamp
I-Beam Dimensions	4" - 8"
Maximum Load	10 lbs.

I-Beam Spring Mount

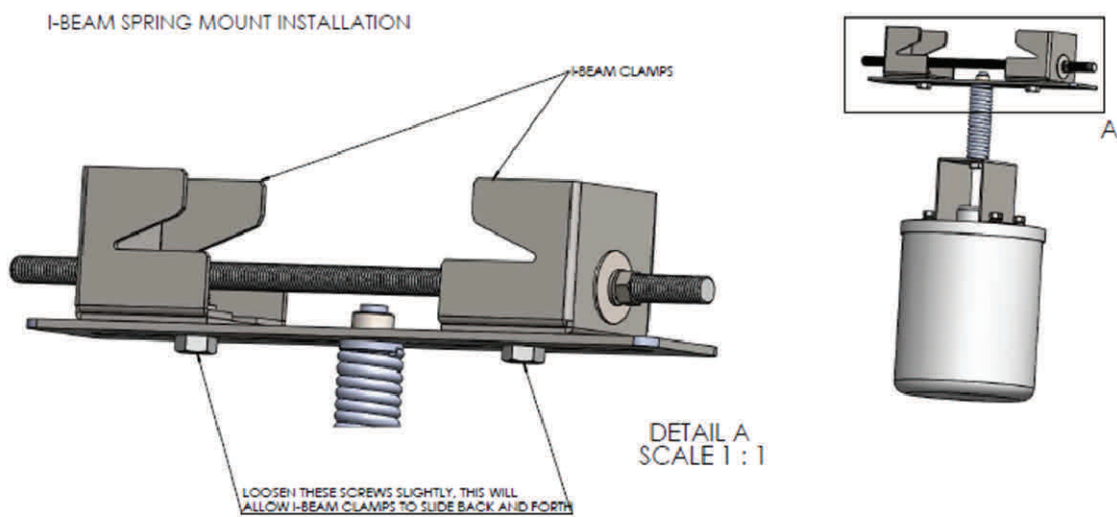
The I-Beam Spring Mount accommodates the following TerraWave antennas:

SKU	NAME
301517	2.4/5 GHz 7 dBi Patch Antenna with N-Style Plug
309584	698-800/800-960/1700-2700 MHz 7.5/8.5/10 dBi Yagi Antenna with N-Style Jack
333918	2.4/5 GHz 6/7 dBi MIMO Patch Antenna with RPSMA Plug
369083	698-960/1700-2700 MHz 7/10 dBi Patch Antenna with N-Style Jack
373866	5 GHz 7 dBi MIMO Patch Antenna with RPSMA Plug
376841	2.4/5 GHz 6 dBi, 6 Lead MIMO Patch Antenna with RPTNC Plug
393218	2.4/5 GHz 6/7 dBi Dual Diversity Patch Antenna with RPSMA Plug
501621	2.4/5 GHz 6 dBi Patch Antenna with RPSMA Plug
503910	2.4/5 GHz 6 dBi Quad Patch Antenna with RPTNC Plug
568911	2.4/5 GHz MIMO 6 dBi Three Lead Patch Antenna with RPSMA Plug
570995	2.4/5 GHz 6 dBi Patch Antenna with RPTNC Plug
572251	2.4/5 GHz 10/11 dBi Panel Antenna with N-Style Jack
574960	Antenna Adapter Plate for Cisco AIR-ANT2566P4W-R Antenna
304402	2.4 GHz 8.5 dBi Patch Antenna with RPTNC Plug Connector
304936	2.4 GHz 19 dBi Panel Antenna with N-Style Jack
334651	2.4 GHz 13 dBi Panel Antenna with N-Style Jack
349502	2.4/5 GHz 6 dBi MIMO Quad Patch Antenna with RPTNC Plug
374697	2.4/5 GHz 11/13.5 dBi MIMO Panel Antenna with RPSMA Plug
527504	2.4/5 GHz 6 dBi MIMO Quad Patch Antenna with RPSMA Plug
541200	698-960/1710-2700 MHz 12 dBi Sector Panel Antenna with DIN Female
544625	2.4/5 GHz 6 dBi Six Lead Patch Antenna with RPSMA Plug
500885	2.4/5 GHz 6 dBi Three Lead Patch Antenna with RPSMA Plug
515085	2.4/5 GHz 4 dBi High Density Quad Patch Antenna with RPTNC Plug
515086	2.4/5 GHz 6 dBi High Density Quad Patch Antenna with RPTNC Plug
541527	Dual-Lead MIMO Panel Antenna with RPSMA
322000	806-960/1700-2500 MHz 7/10 dBi Low Profile Outdoor Patch Antenna with N-Style Connector
376841	2.4/5 GHz 6 dBi, 6 Lead MIMO Patch Antenna with RPTNC Plug
577629	2.4/5 GHz 6 dBi MIMO Outdoor Omnidirectional Antenna with RPTNC Plug Connectors, 4-Pack
539823	2.4/5 GHz 6 dBi SFF Outdoor Omni Antenna with 4x RPTNC Plug Connectors
507650	2.4/5 GHz 6 dBi SFF Outdoor Omni Antenna with 4x RPSMA Plug Connectors

I-Beam Spring Mount

Mounting Instructions

Step 1



Step 2

I-BEAM SPRING MOUNT INSTALLATION

