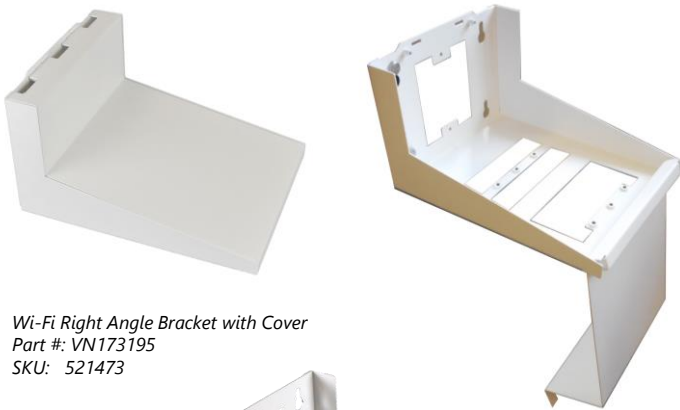


# Wi-Fi Right Angle Wall Bracket

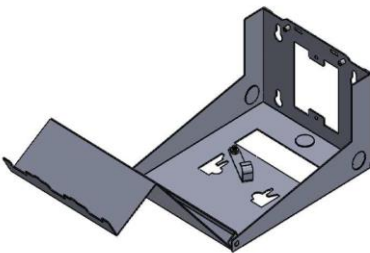
Ventev's Wi-Fi Right Angle Bracket is designed to provide optimal Wi-Fi coverage indoors. The mount fits most indoor access points and provides maximum protection from dust and tampering without RF interference. Ideal for warehouses, hospitals, campuses and universities. Easy to deploy and ensures safe and reliable installation. *Every Ventev enclosure is covered by the company's two-year TerraNet warranty program.* **For more information or to purchase, contact Ventev: 800.851.4965 or sales@ventev.com.**



Wi-Fi Right Angle Bracket with Cover  
Part #: VN173195  
SKU: 521473



Wi-Fi Right Angle Bracket without Cover  
Part #: VN173473  
SKU: 538527



Wi-Fi Right Angle Bracket with Cover for Aruba APs  
Part #: TW-CHWM-Aruba  
SKU: 564911

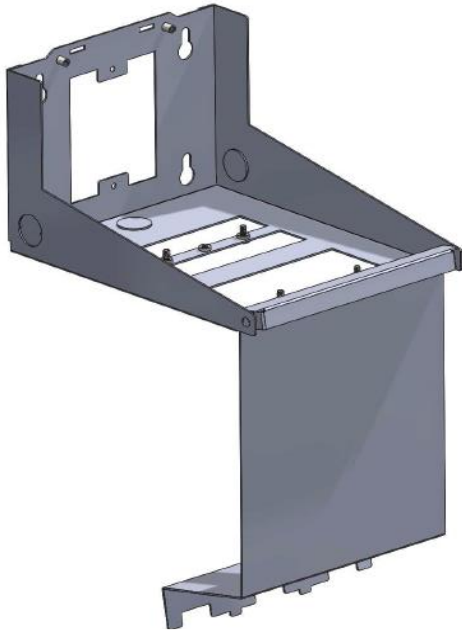
## FEATURES AND BENEFITS

- Constructed of powder-coated steel
- Mounts to wall surface or secures directly to a single gang electrical box
- Aesthetically pleasing mount for most wireless access points
- Mounts access point horizontally for improved performance
- Rigid base design for improved durability
- Right Angle Bracket with Cover conceals cabling and data outlet
- Cover swings down for access to AP and cables
- Reduces installation and maintenance time and costs
- Lightweight, low profile design

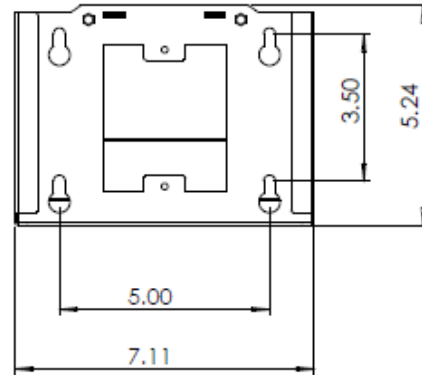
	Cisco	Aruba	Meraki- MR 33, MR 42, MR45, MR 52, MR55
Right Angle Wall Bracket with Cover	<b>521473</b>	<b>564911</b> <i>All APs except 802.11ax (500 Series)</i>  <b>521473</b> <i>802.11ax APs (500 Series)</i>	<b>521473*</b> *Requires Adapter Plate 231728, see page 2
Right Angle Wall Bracket without Cover	<b>538527</b>	N/A	<b>538527*</b> *Requires Adapter Plate 231728, see page 2

# Wi-Fi Right Angle Wall Bracket

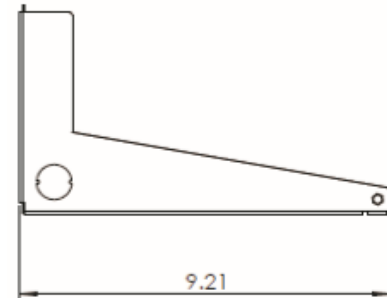
Right Angle Wall Mount with Cover  
Open



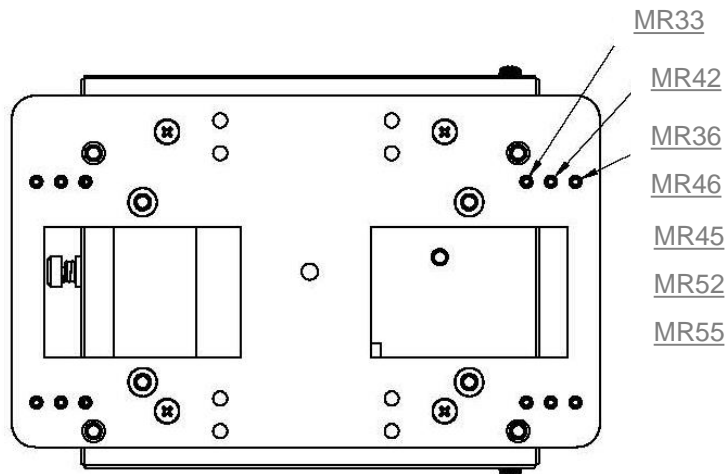
Back View



Side View



Adapter Plate for Meraki Access Points



Adapter Plate for Aruba APs  
SKU: 231728