

# CBC71726-DP | E11F01P93



Triplexer 698-960/1695-2200/2300-2600, dc bypass on all ports

## **OBSOLETE**

This product was discontinued on: **March 19, 2019**

### Replaced By:

CBC71726-DS-43  
E14F10P43

Triplexer 698-960/1695-2200/2300-2700, DC-sense with 4.3-10 connectors

## Product Classification

**Product Type** Triplexer

## General Specifications

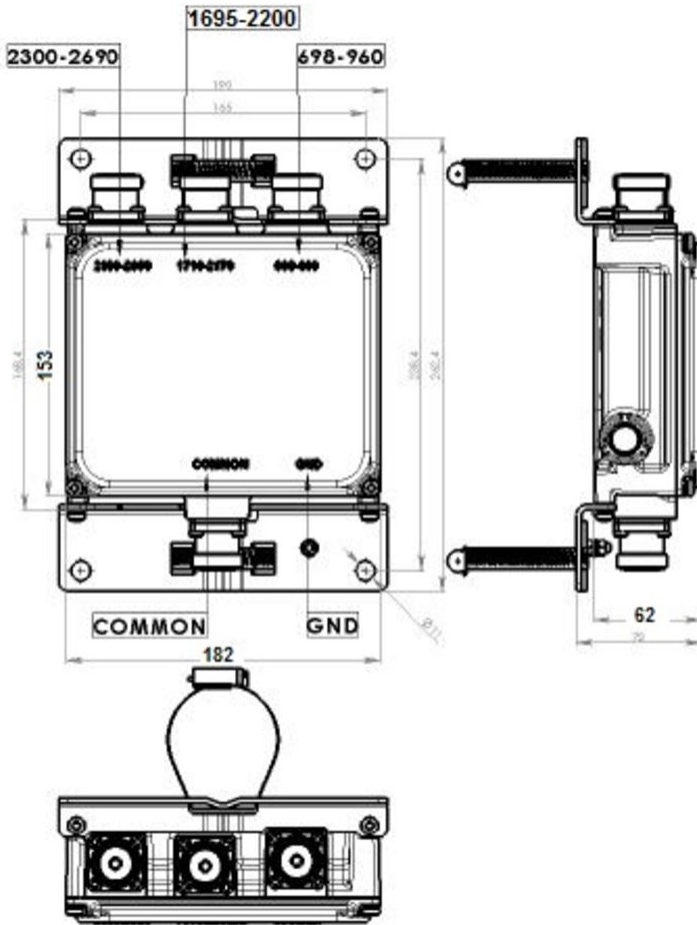
**Product Family** CBC71726  
**Color** Gray  
**Common Port Label** COMM  
**Modularity** 1-Single  
**Mounting** Pole | Wall  
**Mounting Pipe Hardware** Band clamps (2)  
**RF Connector Interface** 7-16 DIN Female  
**RF Connector Interface Body Style** Medium neck

## Dimensions

**Height** 153 mm | 6.024 in  
**Width** 62 mm | 2.441 in  
**Depth** 182 mm | 7.165 in  
**Mounting Pipe Diameter Range** 42.6–122 mm

# CBC71726-DP | E11F01P93

## Outline Drawing



## Electrical Specifications

<b>Impedance</b>	50 ohm
<b>License Band, Band Pass</b>	APT 700   AWS 1700   CEL 850   CEL 900   DCS 1800   EDD 800   IMT 2100   IMT 2600   LMR 750   LMR 800   LMR 900   PCS 1900   USA 700   USA 750   WCS 2300

## Electrical Specifications, dc Power/Alarm

<b>dc/AISG Pass-through, combiner</b>	Branch 1   Branch 2   Branch 3
<b>dc/AISG Pass-through, demultiplexer</b>	Branch 1   Branch 2   Branch 3
<b>Lightning Surge Current</b>	5 kA
<b>Lightning Surge Current Waveform</b>	8/20 waveform

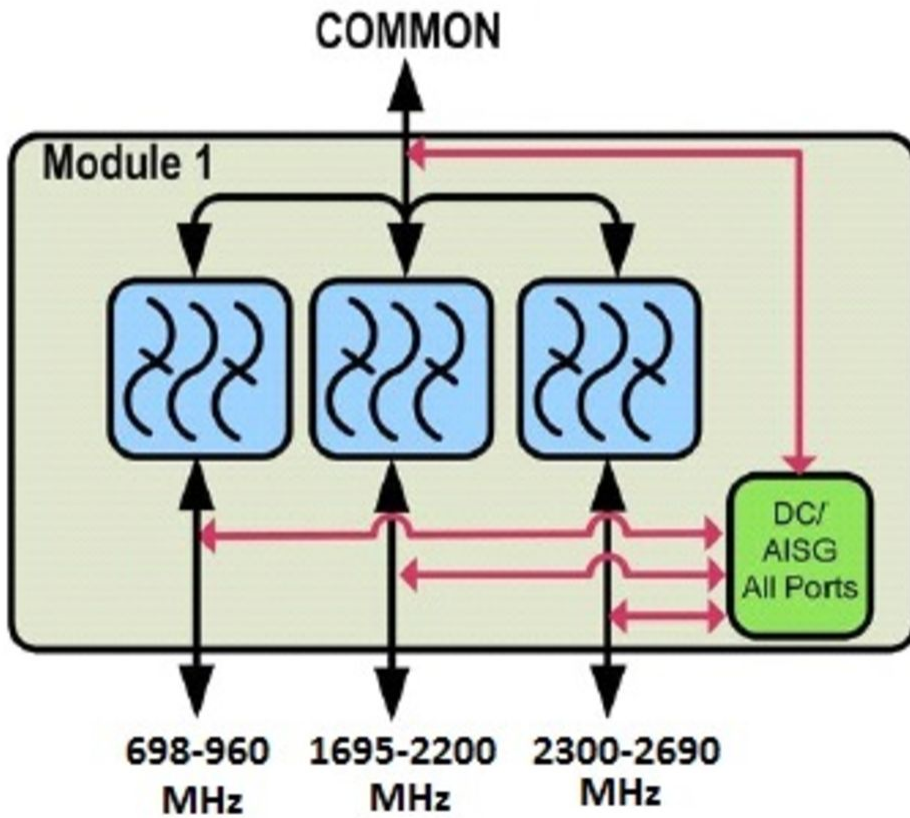
## Electrical Specifications

<b>Sub-module</b>	<b>1</b>	<b>1</b>	<b>1</b>
<b>Branch</b>	1	2	3
<b>Port Designation</b>	698-960	1695-2200	2300-2690
<b>License Band</b>	[1, 4, 5, 7, 10, 11, 12, 15, 16]	[2, 6, 8, 13]	[9, 17]

## Electrical Specifications, Band Pass

<b>Frequency Range, MHz</b>	<b>698–960</b>	<b>1695–2200</b>	<b>2300–2690</b>
<b>Insertion Loss, typical, dB</b>	0.15	0.2	0.25
<b>Total Group Delay, maximum, ns</b>	20	25	20
<b>Return Loss, minimum, dB</b>	18	18	18
<b>Return Loss, typical, dB</b>	20	20	20
<b>Isolation, minimum, dB</b>	50	50	50
<b>3rd Order PIM, typical, dBc</b>	-155	-155	-155
<b>3rd Order PIM Test Method</b>	2 x 20 W CW tones	2 x 20 W CW tones	2 x 20 W CW tones

## Block Diagram



## Environmental Specifications

<b>Operating Temperature</b>	-40 °C to +60 °C (-40 °F to +140 °F)
<b>Relative Humidity</b>	Up to 100%
<b>Ingress Protection Test Method</b>	IEC 60529:2001, IP67

## Packaging and Weights

<b>Included</b>	Mounting hardware
<b>Volume</b>	1.9 L
<b>Weight, net</b>	3.2 kg   7.055 lb

## Regulatory Compliance/Certifications

Agency	Classification
--------	----------------

# CBC71726-DP | E11F01P93

---

ISO 9001:2015

Designed, manufactured and/or distributed under this quality management system

