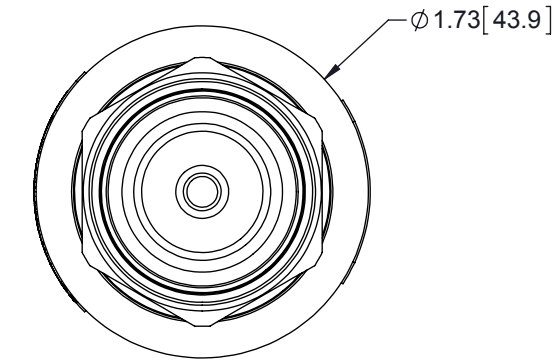
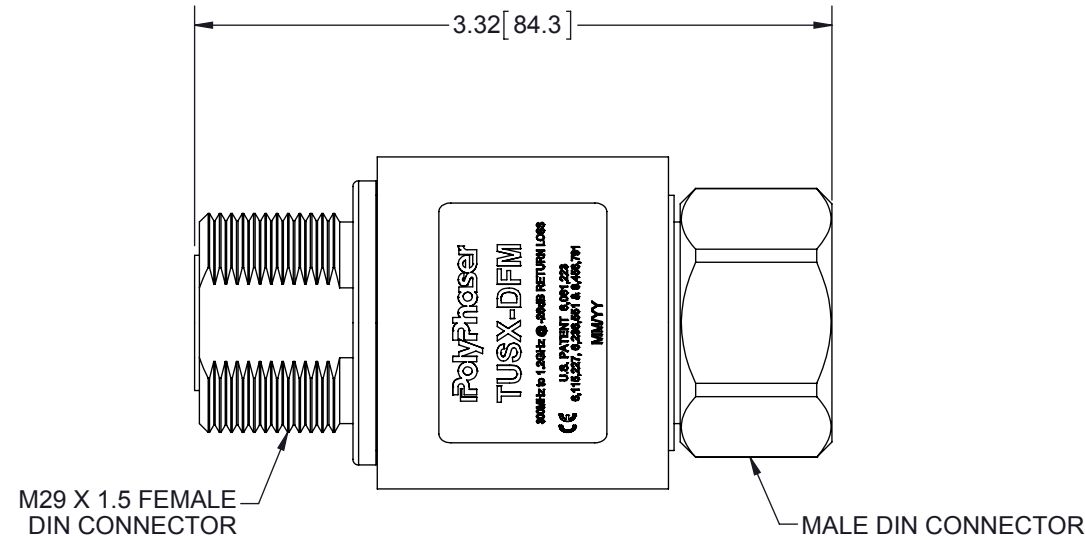
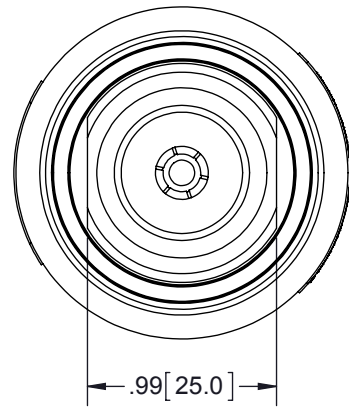


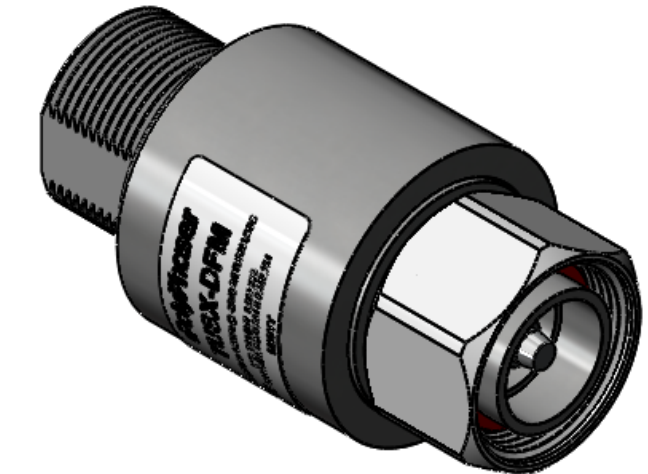
REVISIONS				
REV.	DESCRIPTION	ECN	DATE	APPROVED
F	REFER TO ECN	12840	8/26/2014	JJ



MAXIMUM CHARACTERISTICS

APPLICATION:
 DC SHORT/RF ONLY (NO POWER SUPPLY PROVISIONS)
 BULKHEAD MOUNT BI-DIRECTIONAL
 WEATHERPROOF WHEN INSTALLED
 FREQUENCY RANGE:
 300MHz TO 1.2GHz @ -26dB RETURN LOSS
 MAX SURGE:
 IEC 61000-4-5 8/20µs WAVEFORM
 30kA MULTIPLE STRIKES
 40kA ONE TIME
 INSERTION LOSS:
 ≤0.1dB
 CONTINUOUS POWER:
 1kW @ 920MHz
 2.5kW @ 400MHz
 LET THROUGH VOLTAGE:
 ≤±200mV FOR 3kA @ 8/20µs WAVEFORM
 THROUGHPUT ENERGY:
 ≤5nJ FOR 3kA @ 8/20µs WAVEFORM
 PIM 3rd ORDER:
 <-155dBc (-112dBm); 2 X 20W INPUT
 TEMPERATURE:
 -50°C TO +85°C STORAGE/OPERATING
 VIBRATION:
 1G @ 5Hz TO 100Hz
 MATERIAL:
 BODY: TRI-M3™ PLATING OVER BRASS
 PTFE: DIELECTRIC
 CENTER PINS: Ag PLATED
 ENVIRONMENTAL:
 MEETS IEC 60529 IP67 WHEN CONNECTED
 MEETS BELL CORE #TA-NWT-000487
 PROCEDURE 4.11, 120MPH WIND DRIVEN
 RAIN INTRUSION TEST
 CE COMPLIANT
 RoHS COMPLIANT

HARDWARE KIT	
QTY.	DESCRIPTION
1	O-RING 025 SILICONE
1	NUT M29 X 1.5 SST DIN
1	WASHER 1.15ID FLAT SST TYPE 304



CUSTOMER APPROVAL: _____ DATE: _____

ALL DIMENSIONS SHOWN ARE FOR REFERENCE ONLY.

THESE COMMODITIES, TECHNOLOGY OR SOFTWARE WERE EXPORTED FROM THE UNITED STATES IN ACCORDANCE WITH THE EXPORT ADMINISTRATION REGULATIONS. DIVERSION CONTRARY TO U.S. LAW PROHIBITED.

UNLESS OTHERWISE SPECIFIED LEADING DIMENSIONS ARE INCHES DIMENSIONS IN [] ARE MILLIMETERS	DRAWN R. DUNNING	DATE 7/16/10	PolyPhaser			
	ENG APPD JJ	7/20/10				
TOLERANCES: FRACTIONS=± 1/32 .XX=± .03 ANGLES=± 1° .XXX=± .010	PRODUCT MGR JJ	7/20/10	TITLE 300MHz TO 1.2GHz UHF SX BI-DIR FEM/MALE CUSTOMER SPECIFICATION			
	MARKETING APPD LJ	7/22/10				
MATERIAL NA	PROJECT NO.		SIZE B	CAGE 30992	PART NUMBER TUSX-DFM	REV F
THIRD-ANGLE PROJECTION 	NOTICE: THE INFORMATION AND DESIGN IN THIS DOCUMENT IS THE PROPERTY OF TRANSTECTOR SYSTEMS. ALL RIGHTS RESERVED.		SCALE 1:1	PROD CAT RFP	DOCUMENT NAME TUSX-DFM-C	SHEET 1 OF 1