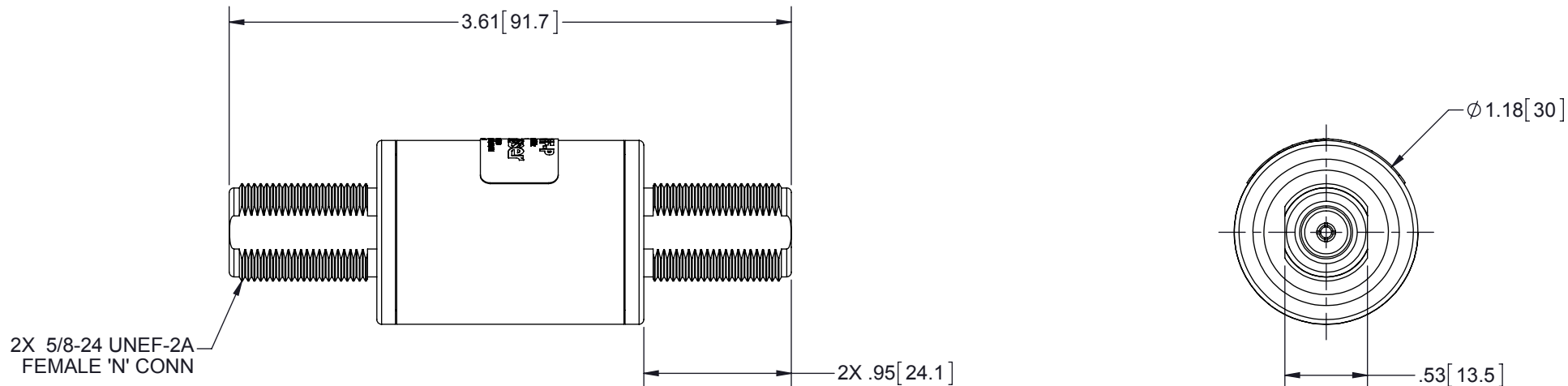
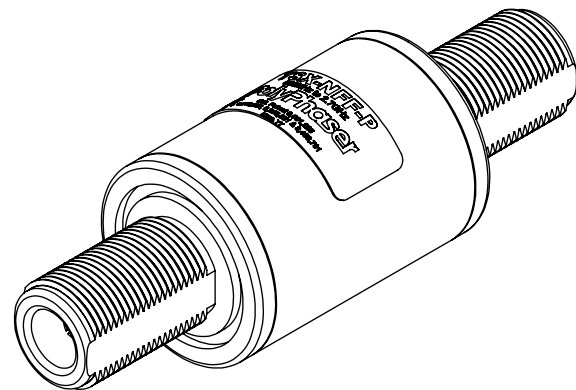


REVISIONS				
REV.	DESCRIPTION	ECN	DATE	APPROVED
H	REFER TO ECN	13298	6/24/15	EJD



MAXIMUM CHARACTERISTICS

APPLICATION:
 DC SHORT/RF ONLY (NO POWER SUPPLY PROVISIONS)
 BULKHEAD MOUNT BI-DIRECTIONAL
 WEATHERPROOF WHEN INSTALLED

FREQUENCY RANGE:
 698MHz TO 2.7GHz @ -26dB RETURN LOSS

MAX SURGE:
 IEC 61000-4-5 8/20µs WAVEFORM
 40kA MAX
 20kA MULTIPLE

INSERTION LOSS:
 ≤0.1dB

CONTINUOUS POWER:
 500W @ 920MHz
 (750W @ 50°C)

LET THROUGH VOLTAGE:
 ≤±200mV FOR 3kA @ 8/20µs WAVEFORM

THROUGHPUT ENERGY:
 ≤5nJ FOR 3kA @ 8/20µs WAVEFORM

PIM 3rd ORDER:
 -112dBm; 2 X 20W

TEMPERATURE:
 -50°C TO +85°C STORAGE/OPERATING

VIBRATION:
 1G @ 5Hz TO 100Hz

MATERIAL:
 BODY: TRI-PLATED BRASS
 PTFE: DIELECTRIC
 CENTER PINS: GOLD PLATED

ENVIRONMENTAL:
 MEETS IEC 60529 IP67 WHEN CONNECTED
 MEETS BELLCORE #TA-NWT-000487
 PROCEDURE 4.11, 120MPH WIND DRIVEN
 RAIN INTRUSION TEST

CE COMPLIANT
RoHS COMPLIANT

HARDWARE KIT INCLUDES:

QTY	DESCRIPTION
1	NUT 5/8-24 303 HEX SS
1	WASHER 5/8 410 SS
1	SILICONE O-RING 019

CUSTOMER APPROVAL: _____ DATE: _____

ALL DIMENSIONS SHOWN ARE FOR REFERENCE ONLY.

THESE COMMODITIES, TECHNOLOGY OR SOFTWARE WERE EXPORTED FROM THE UNITED STATES IN ACCORDANCE WITH THE EXPORT ADMINISTRATION REGULATIONS. DIVERSION CONTRARY TO U.S. LAW PROHIBITED.

UNLESS OTHERWISE SPECIFIED LEADING DIMENSIONS ARE INCHES DIMENSIONS IN [] ARE MILLIMETERS		DRAWN RD 02/09/2012			
TOLERANCES: FRACTIONS=± 1/32 .XX=± .01 ANGLES=± 1° .XXX=± .005		ENG APPD JJ 5/15/12			
MATERIAL		PRODUCT MGR CP 5/15/12			
THIRD-ANGLE PROJECTION		MARKETING APPD LJ 5/15/12			
PROJECT NO.		TITLE		BI-DIRECTIONAL BROADBAND DC SHORT FILTER 'N' FEM	
NOTICE: THE INFORMATION AND DESIGN IN THIS DOCUMENT IS THE PROPERTY OF TRANSTECTOR SYSTEMS. ALL RIGHTS RESERVED.		SCALE		CUSTOMER SPECIFICATION	
SCALE 1:1		CAGE 30992		PART NUMBER TSX-NFF-P	
PROJ CAT RFP		DOCUMENT NAME TSX-NFF-P-C		REV H	
SHEET 1		OF 1			