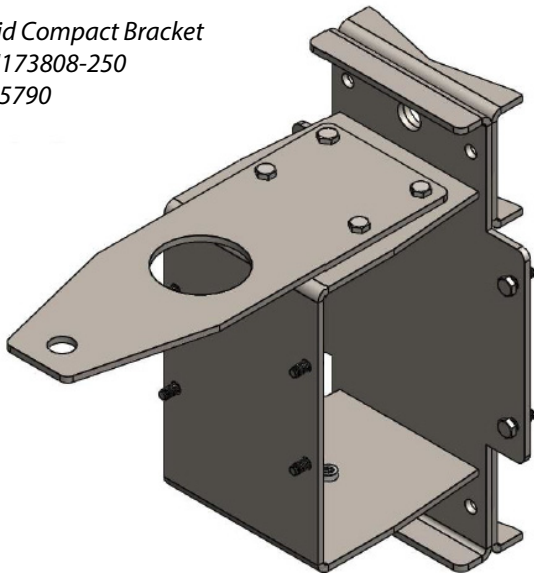


Smart Grid Compact Bracket

Ventev's Smart Grid Compact Bracket is engineered for and field tested by major utilities for quick, reliable installations of grid automation equipment. It provides collocation of the radio, battery, and antenna all in one unique design. This makes it ideal for mounting Grid Automation in city centers where lower profile deployments are required. The single welded base is designed for increased stability and fast one-piece installation. The bracket accommodates both relays and access points with GPS antennas; and also features a removable antenna bracket to provide further configuration options. The compact bracket can be mounted with banding, thru-bolts, or U-Bolts which makes it an ideal solution for most street furniture surfaces. *For questions or to purchase product, contact our Product Management Team at 410.229.1345 or sales@ventev.com.*

Smart Grid Compact Bracket
Part#: VN173808-250
SKU #: 535790



Features

- 1 bracket weld assembly and removable antenna plate
- Installation kit includes (8) ¼-20 X .75 HEX Bolt 18-8 and (4) ¼-20 X .625 HEX Screw 18-8
- Stainless Steel black powder coated
- Mounting hardware to be ordered separately
- Designed for Silver Springs Network radios, but can be made to accommodate similar products.

Benefits

- Multiple mounting options allow for compatibility with most telephone poles, street lights, and walls
- Removable antenna bracket provides configuration options
- Compactly co-locates battery, radio, and antenna

Smart Grid Compact Bracket

Dimensions

