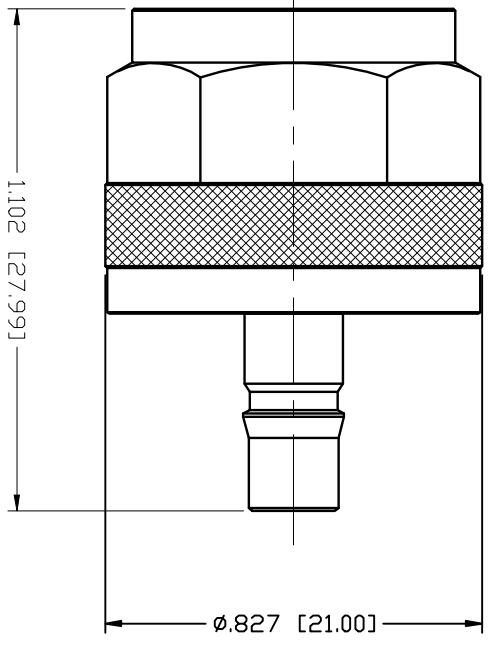
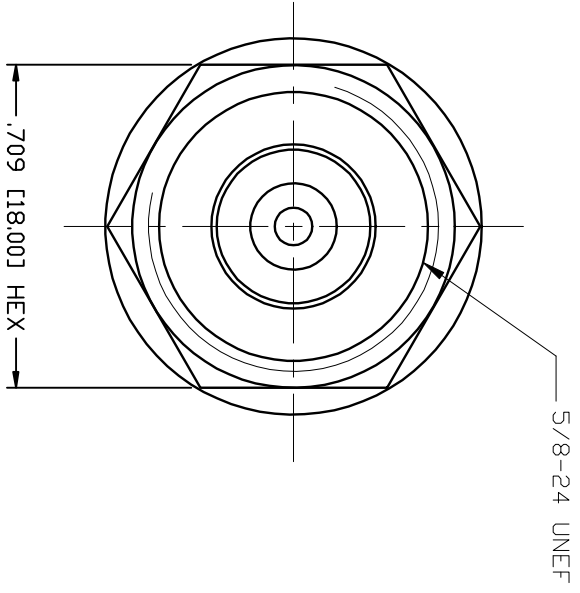


PART NO.		ROA-5478	
REV	DESCRIPTION	DWN	DATE
-	ENGINEERING RELEASE	CZS	09/19/12
		APPROVED	JDMc



#	DESCRIPTION	QTY	MATERIAL	FINISH
3	CONTACT	1	BRASS	GOLD
2	INSULATOR	1	PTFE	---
1	BODY	1	BRASS	WHITE BRONZE

CUSTOMER
OUTLINE DRAWING
ALL DIMENSIONS
ARE REFERENCE ONLY
UNLESS OTHERWISE SPECIFIED:
DIMENSIONS ARE IN INCHES
AND [MILLIMETERS]

DRAWN
C. ZUNIGA
CHECKED
C. ZUNIGA
09/19/12

ROHS
COMPLIANT

PROPRIETARY AND CONFIDENTIAL
THIS DRAWING CONTAINS
INFORMATION PROPRIETARY TO
RF INDUSTRIES. ANY
UNAUTHORIZED USE OF THIS
DRAWING IS EXPRESSLY
PROHIBITED WITHOUT WRITTEN
PERMISSION FROM RF
INDUSTRIES. ANY VIOLATION IS
PUNISHABLE UNDER U.S.
COPYRIGHT LAWS.

RF
Connectors
DIVISION OF RF INDUSTRIES, LTD.
(858) 549-6340
7610 MIRAMAR RD.
SAN DIEGO, CA 92126
(858) 549-6340
(858) 549-6345 FAX

N PLUG TO OMA JACK
ADAPTER

SIZE	CABLE GROUP	DWG NO.	REV
A	N/A	ROA-5478	---
SCALE:	ENGINEERING ID:	SHEET	OF
NTS	000447	1	1