

## Andrew® Solutions

### Diplexer 698-894/1710-2360 MHz

#### Multiband Combiner Combines Low and High Frequency Ranges

The CDX723A Diplexer is a multiband combiner designed to combine wireless systems operating in the 698-894 MHz bands and systems operating in the 1710-2360 MHz bands onto a common feeder cable. The product family is designed for indoor/outdoor installation and can support a variety of mounting scenarios.

In addition to low insertion loss, high isolation, and high power capability, the CDX723A Diplexer includes the following features:

**DC/AISG bypass with auto-sense** – detects the presence of PDU or RET controller on either BTS port or AISG port and provides a bypass path to the COMMON port;

**DC redundancy** – with DC present on more than one port, the diplexer applies priority rules to select the bypass path and draw dummy current from the backup supply;

**Convertible mounting brackets and stacking feature** – support a large variety of mounting methods as well as multiple unit stacking using only included hardware;

**Layer One Converter (optional)** – modem connects RS-485 signals to/from AISG controller with 2.176 MHz OOK interface on COMMON port. A version with female AISG port for tower top use connects instead to devices such as RET antennas.

- Internal lightning protection on all ports
- Overcurrent/overvoltage protection with automatic recovery
- External grounding stud
- Available in single and twin configuration

# Diplexer 698-894/1710-2360 MHz

## Electrical

### LOW FREQUENCY PATH

Frequency range, MHz	698–894
Insertion loss, dB	0.15 max
Total group delay, ns	10 max
Isolation @ high frequency band, dB	60 min
Return loss, dB	22 min, 25 typ
Maximum input power – RMS, W	500
Maximum input power – PEP, W	5000
Passive IM products (2X43dBm), dBc	153 min

### HIGH FREQUENCY PATH

Frequency range, MHz	1710–2360
Insertion loss, dB	0.15 max
Total group delay, ns	10 max
Isolation @ low frequency band, dB	60 min
Return loss, dB	22 min, 25 typ
Maximum input power – RMS, W	500
Maximum input power – PEP, W	5000
Passive IM products (2x43 dBm), dBc	153 min

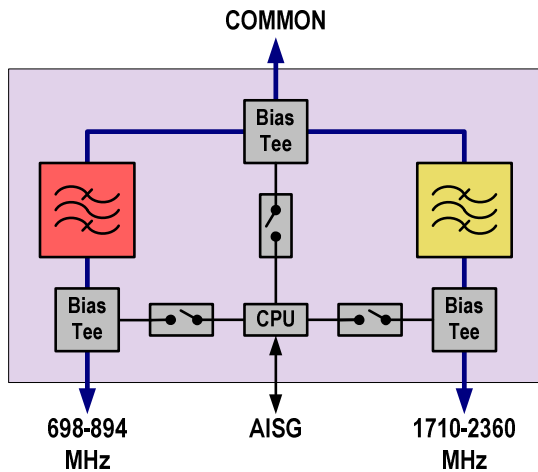
### AISG

Protocol..... AISG 1.1 & 2.0

## Environmental

Operating temperature range, °C	-40 to +65
Wind load @ 115 km/h (70 mph), N (lbf)	27 (6.1)
Ingress protection	IP67
Lightning protection	10 kA, 8/20 µs

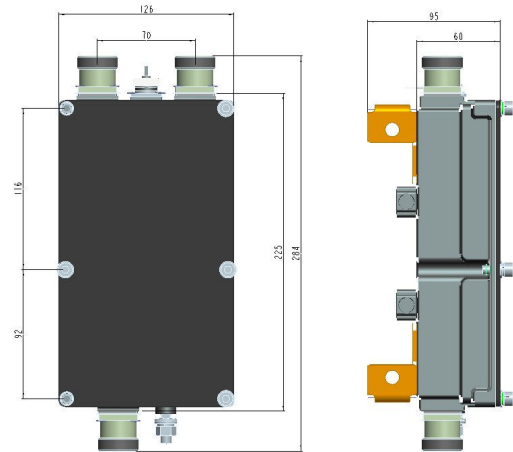
### Block Diagram – CDX723A-DS-B



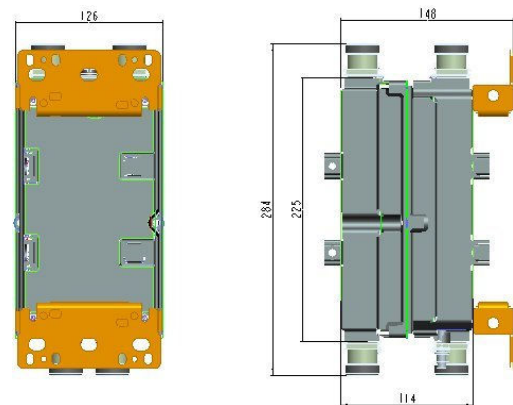
## Mechanical

Dimensions – single, mm	225 × 125 × 60 (8.9 × 5.0 × 2.4)
Dimensions – twin, mm	225 × 125 × 115 (8.9 × 5.0 × 4.5)
Weight – single, kg (lb)	2.8 (6.2)
Weight – twin, kg (lb)	4.6 (10.1)
Finish	Gray paint
Connectors, RF	7-16 DIN female
Connector, AISG	IEC 60130-9
Ground terminal diameter, mm (in)	8 (0.31)

### Outline – Single



### Outline – Twin



**Ordering Information:** SPECIFY MODEL NUMBER TO ORDER DIPLEXER WITH OPTIONS AS SHOWN

Model Number	Part Number	Description	AISG Port	Application
CDX723A-DS	E15V95P41	Diplexer, Auto-Sense		BTS to Feeder
CDX723A-DS-B	E15V95P44	Diplexer, Auto-Sense, LOC	Male	BTS to Feeder
CDX723A-DS-T	E15V95P45	Diplexer, Auto-Sense, LOC	Female	Feeder to Antenna
CDX723AT-DS	E15V95P46	Twin Diplexer, Auto-Sense		BTS to Feeder
CDX723AT-DS-B	E15V95P49	Twin Diplexer, Auto-Sense, LOC	Male	BTS to Feeder
CDX723AT-DS-T	E15V95P50	Twin Diplexer, Auto-Sense, LOC	Female	Feeder to Antenna



[www.commscope.com](http://www.commscope.com)

CDX723A rev. 2 (08/21/2013). Visit our Web site or contact your local CommScope representative for more information

© 2013 CommScope, Inc. All rights reserved

All trademarks identified by ® or ™ are registered trademarks or trademarks, respectively, of CommScope, Inc.

This document is for planning purposes only and is not intended to modify or supplement any specifications or warranties relating to CommScope products or services.