



20Amp 10x10 Dual Bus GMT Fuse Panel

NPGMT1125

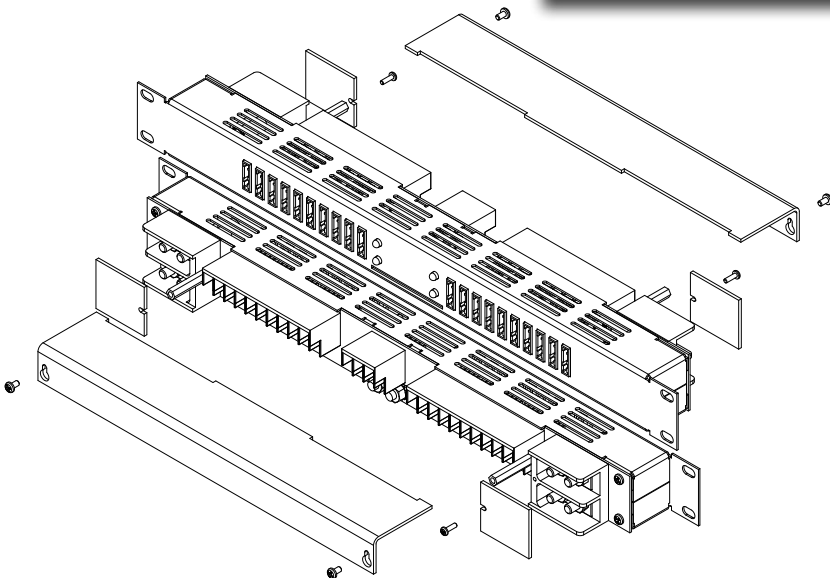


Overview

Westell's latest GMT Fuse and Alarm Panel offers some of the industry's highest GMT amperages available in a compact and very cost competitive package. With 20Amp fuses in a dual 100Amp bus, it is a perfect fit for the applications limited on space. With standard Westell fuse panel features like variable operating voltage (± 24 and ± 48) and cascading output lugs, this panel exceeds the requirements of both legacy and Next Generation networks.

Features and Benefits

- Cost effective, compact design expanding application flexibility
- Two isolated groups (busses) with 10 GMT style fuses in each (20Amps/GMT position and a max of 100Amps/bus)
- Two sets of Form C relay contacts are provided to extend alarms
- One set of alarm contacts for each; Bus A and Bus B Alarm
- Dual ground lugs meeting or exceeding carrier specifications
- Universal voltage ($\pm 24/\pm 48$ VDC) offering network flexibility
- Screw-down lugs on both the inputs and outputs increasing reliability
- GMT fuse holders mounted for downward trip indication — easier identification and detection of blown fuses
- NEBS level 3 verified, with zone 4 earthquake; UL Listed



Applications

- Wireless
- Central office
- Co-locate
- Remote sites
- Secondary distribution

NPGMT1125 Fuse Panel

Product Specifications

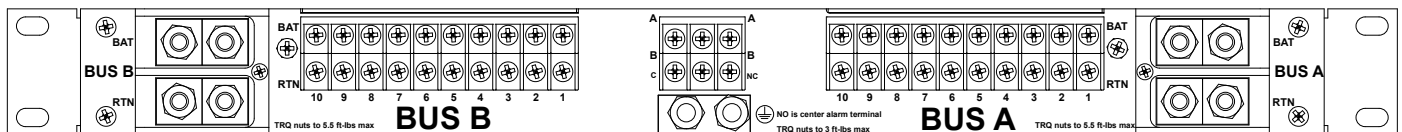
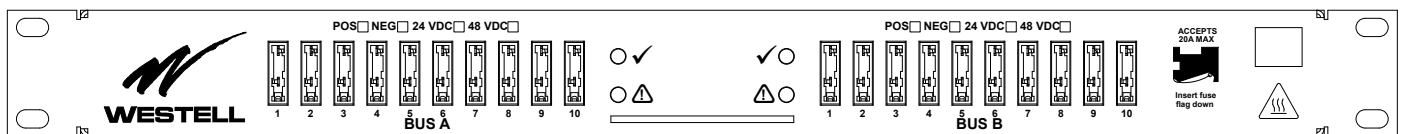
Voltage	-/+24 or -/+48Vdc typical -/+22 to -/+58Vdc max
Fuse Size	60Vdc, 0.18 to 20 Amps max 450A @60Vdc Interrupt rating (Littlefuse Type 481 Series)
Current/Bus	100 Amps max
Current/Panel	200 Amps
Output/Fuse	GMT Style Fuse Holders
Output/Bus	10 Fuses (20 per panel)
Output/Panel	2 Busses per Panel
Input Block	Two 1/4" studs on 5/8" centers Max standard lug is 1 AWG Max lug width = 0.710"
Output Block	#22 AWG to 12 AWG wire Or fork/ring for #6 screw, 10 AWG forks/rings will work Max lug width = 0.320"
Alarm Block	#6 screws at rear
Relay Current	1 Amps/58Vdc max
Dimensions	1-3/4"H x 17"W x 2-1/2"D
Rack Mounting	19" Racks for 1-1/4" panel spaces
Weight	Approx. 4 lbs
Operating Temp	-40°C to +65°C (-40°F to +149°F)
Color	Off White
Interrupt Fuse Rating	450A (max)

Ordering Information

Part Number	Description
NPGMT1125	20Amp 10x10 Dual Bus GMT Fuse Panel

Order fuses separately.

Amperage	Part Number
1/2A	FF-GMT1/2
1A	FF-GMT1
2A	FF-GMT2
3A	FF-GMT3
5A	FF-GMT5
7-1/2A	FF-GMT7-5
10A	FF-GMT10
12A	FF-GMT12
15A	FF-GMT15
20A	FF-GMT20



www.westell.com

Inside Sales / Support:
800.377.8766

Westell, Inc.
750 N. Commons Drive
Aurora, IL 60504



Westell is a registered trademark of Westell, Inc. and eSmartAccess™, eSmartES™ and SiteVu™ are trademarks of Westell, Inc. Availability of features and specifications subject to change without notice. This document is the property of Westell, Inc. and its contents are proprietary and may neither be copied, reproduced nor its contents disclosed to others without prior written agreement from Westell.

Copyright 2012 Westell, Inc.
All rights reserved.

1212IARA