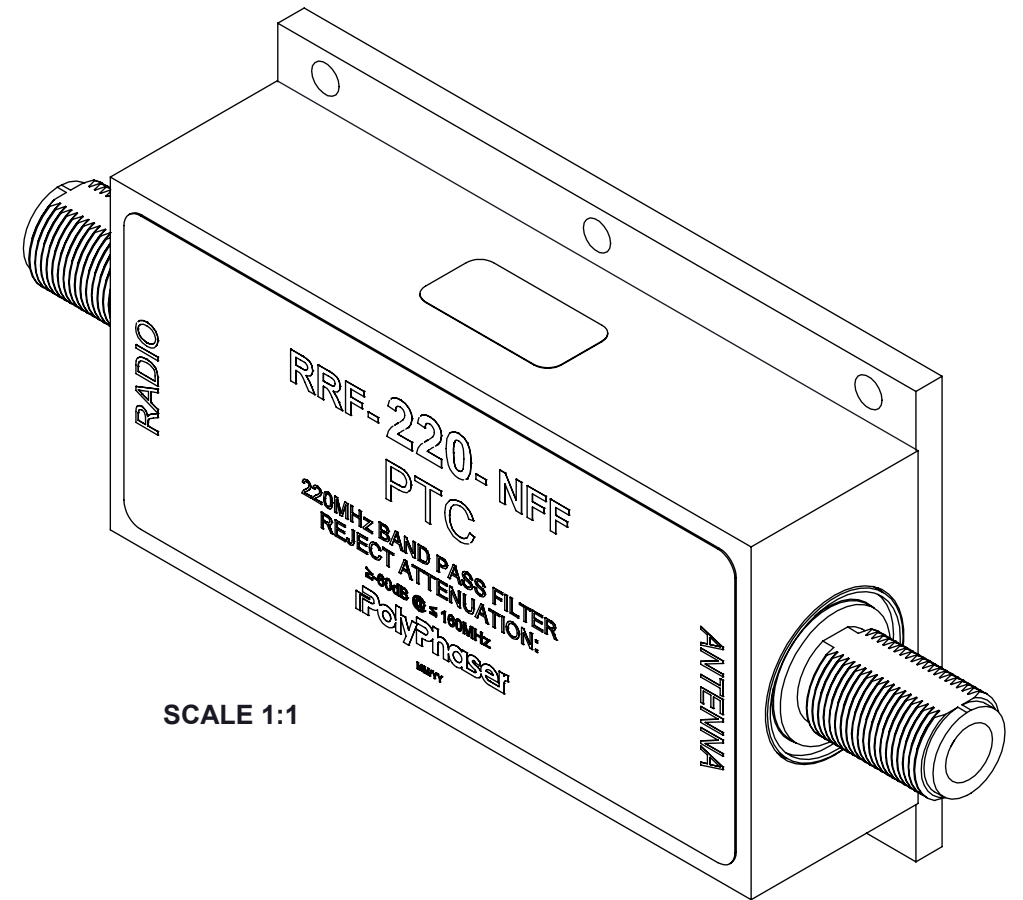
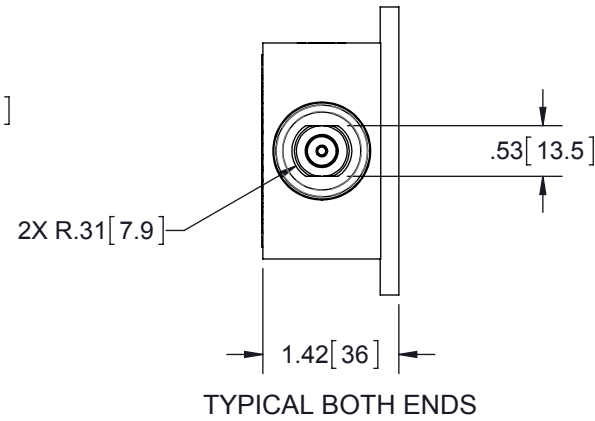
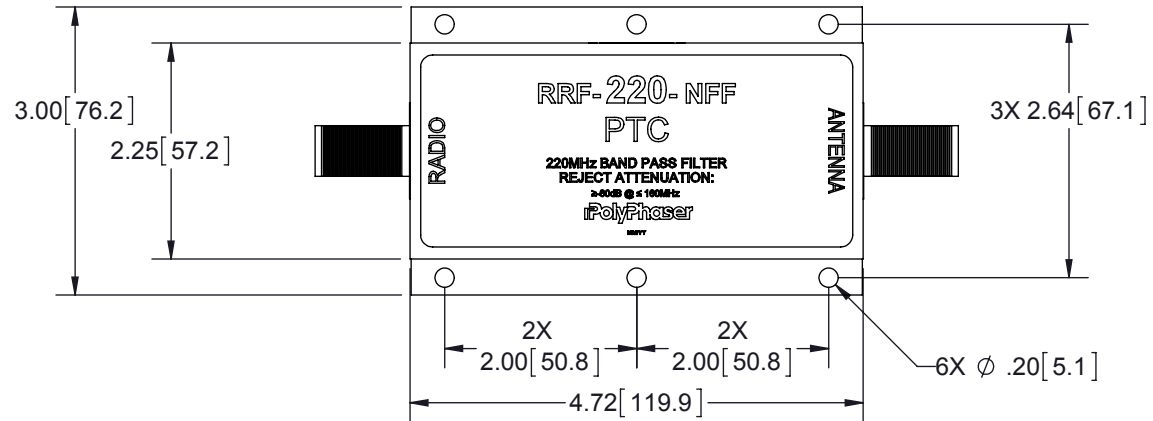
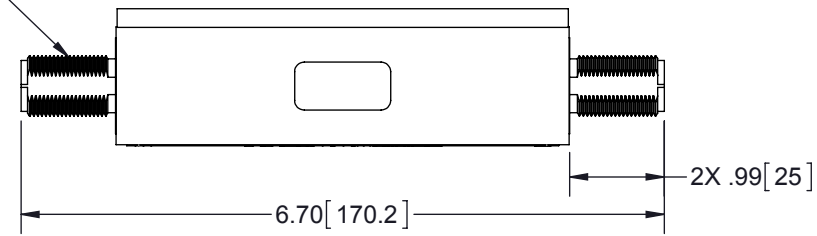


REVISIONS				
REV.	DESCRIPTION	ECN	DATE	APPROVED
G	REFER TO ECN	13192	3/31/15	EJD

2X 'N' FEMALE CONNECTORS



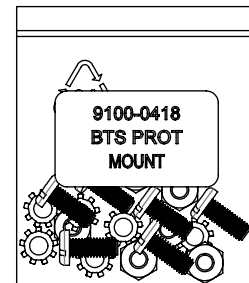
MAXIMUM CHARACTERISTICS

APPLICATION:
WEATHERIZED SURGE AND FILTER DEVICE
FOR CO-LOCATED 160MHz & 220MHz
COMMUNICATION SYSTEMS
PANEL MOUNTING

RF SPECIFICATIONS:
220MHz BAND PASS FILTER:
217MHz - 223MHz
RETURN LOSS: ≥ 20 dB TYPICAL
INSERTION LOSS: ≤ 1.0 dB TYPICAL
BAND REJECTION:
INSERTION LOSS ≥ -60 dB @ ≤ 160 MHz
 ≥ -45 dB @ ≥ 450 MHz TO 460MHz
RF POWER:
100W CONTINUOUS

SURGE SPECIFICATIONS:
TURN-ON:
90V $\pm 20\%$
MAX SURGE:
10kA IEC 61000-4-5, 8/20 μ s WAVEFORM
THROUGHPUT ENERGY/VOLTAGE:
 < 10 nJ FOR 3kA, 8/20 μ s WAVEFORM
 < 500 mVpk

ENVIRONMENTAL:
MEETS IEC 60529 IP67
MEETS BELLCORE #TA-NWT-000487
PROCEDURE 4.11, WIND DRIVEN (120MPH)
RAIN INTRUSION TEST.
-40°C TO +85°C (STORAGE/OPERATING)



HARDWARE KIT

QTY	DESCRIPTION
6	WASHER 10 EXT TOOTH SS STAINLESS STEEL
6	NUT 10-32 HEX 18-8 SS
6	SCREW 10-32X .50 SLOT MS PAN 18-8 SS

CUSTOMER APPROVAL: _____ DATE: _____

ALL DIMENSIONS SHOWN ARE FOR REFERENCE ONLY.

UNLESS OTHERWISE SPECIFIED LEADING DIMENSIONS ARE INCHES DIMENSIONS IN [] ARE MILLIMETERS TOLERANCES: FRACTIONS=± 1/32 .XX=± .03 ANGLES=± 1° .XXX=± .010	DRAWN JJS 11/03/10			
	ENG APPD JJ 5/23/12			
MATERIAL	PRODUCT MGR SJD 5/23/12	TITLE 220MHz BAND PASS FILTER CUSTOMER SPECIFICATION		
	MARKETING APPD LJ 5/24/12	SIZE B	CAGE 30992	PART NUMBER RRF-220-NFF
THIRD-ANGLE PROJECTION 	PROJECT NO. DD75833	SCALE 1:2	PROD CAT RFP	DOCUMENT NAME RRF-220-NFF-C
NOTICE: THE INFORMATION AND DESIGN IN THIS DOCUMENT IS THE PROPERTY OF TRANSECTOR SYSTEMS. ALL RIGHTS RESERVED.		SHEET 1	OF 1	REV G

THESE COMMODITIES, TECHNOLOGY OR SOFTWARE WERE EXPORTED FROM THE UNITED STATES IN ACCORDANCE WITH THE EXPORT ADMINISTRATION REGULATIONS. DIVERSION CONTRARY TO U.S. LAW PROHIBITED.