

Westell® | Multiband Omnidirectional Antenna



General Information

Westell's multiband omnidirectional antenna is a wireless transmitting / receiving antenna that works exceptionally well in all horizontal directions. Used in most RF wireless devices such as mobile phone devices and wireless routers.

Product Highlights

- Multiband design
- Flexible mounting options
- Symmetric construction
- Suitable for wall mounting

Applications

- CDMA, GSM, DCS, 3G/UMTS, LTE
- In-building coverage

Frequency Range

- 698-960 MHz
- 1710-2690 MHz

Electrical Specifications

Horizontal beamwidth	Omnidirectional
Gain	
698-738 MHz	2 dBi
738-818 MHz	1 to 2 dBi
818-960 MHz	1 to 2 dBi
1700-2690 MHz	2 to 4 dBi
Polarization	Vertical
Impedance	50 Ohm
VSWR/return loss	
698-738 MHz	2.0/9.5 dB
738-818 MHz	1.8/10.9 dB
818-960 MHz	1.5/14.0 dB
1700-2690 MHz	1.4/15.5 dB
PIM, 3rd order, 2 x 20W	-153 dBc
Max input power	50 Watts (2W typical)

Specifications subject to change without notice.



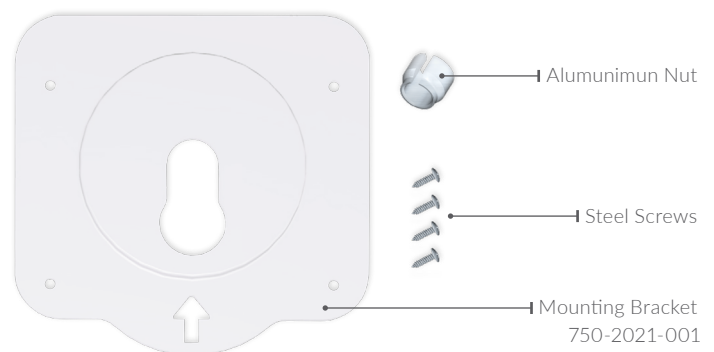
Multiband Omnidirectional Antenna

Ordering Information

Part Number:	Description:
CS03-011-429	ClearLink-O/698-2.7K/N
CS03-011-429-02	ClearLink-O/698-2.7K/4310
750-2021-001	Mounting Bracket

Mechanical Specifications

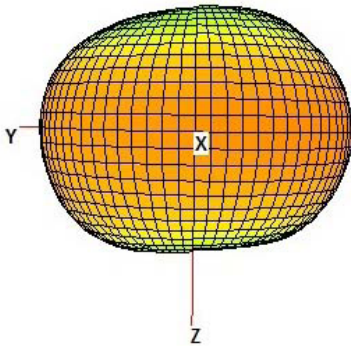
Case material	ABS with UV protection
Operating temperature	-40° to +70° C
Dimensions	8 Dia. x 4.5 H in.
Color	Porcelain white
Weight	1.6 lbs
Connectors	N-Female or 4.3-10 Female
Pigtail	Low PIM plenum rated cable
Standard mounting style	Ceiling
Universal bracket included for additional mounting options	



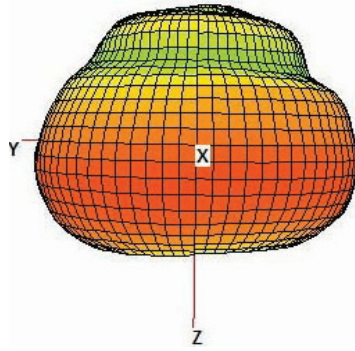
Westell® | Multiband Omnidirectional Antenna



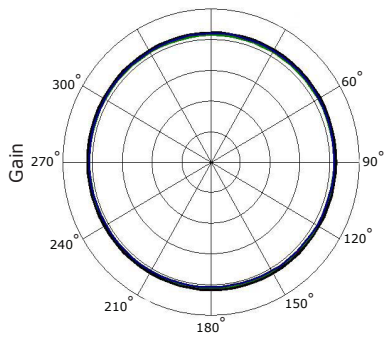
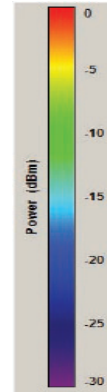
Sample Antenna Patterns*



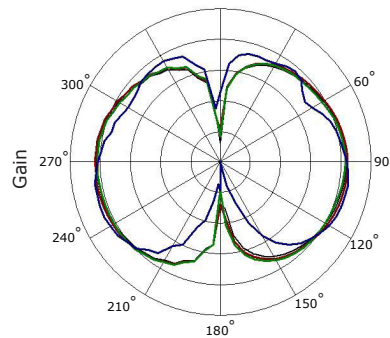
698 MHz



1904 MHz



Azimuth Pattern



Elevation Pattern

■ 698 MHz ■ 740 MHz ■ 818 MHz ■ 1904 MHz

* Additional patterns with enlarged images are available upon request.



WESTELL.COM

Copyright © 2021 by Westell, Inc. All Rights Reserved. Information is correct at time of printing and is subject to change without notice. Westell, Inc. is an Equal Opportunity/Affirmative Action employer.

IBW-CS03-011-429_2-DS-112221