

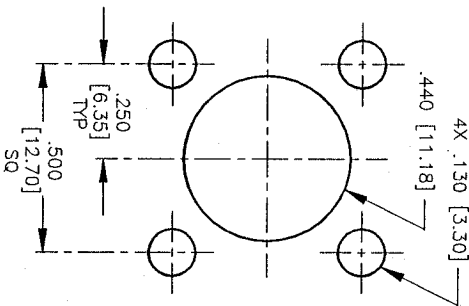
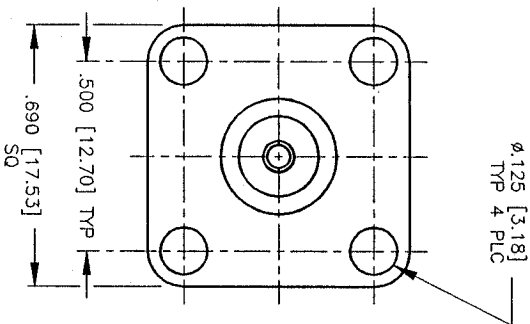
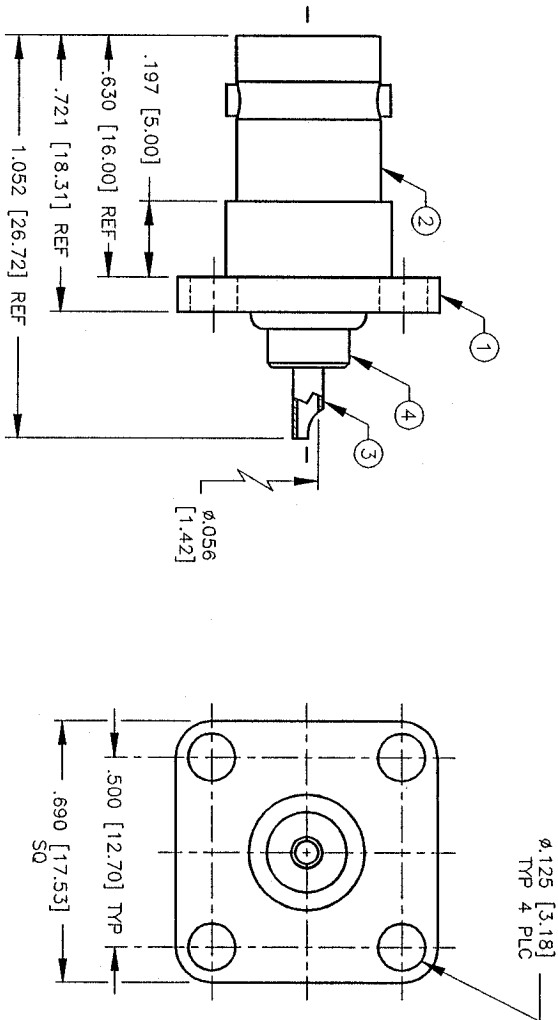
# ENVELOPE / ASSEMBLY DRAWING

008974

## SPECIFICATION CONTROL DRAWING

THIS DRAWING CONTAINS INFORMATION PROPRIETARY TO RF INDUSTRIES, LTD. ANY UNAUTHORIZED USE OF THIS DRAWING IS EXPRESSLY PROHIBITED. ANY VIOLATION IS PUNISHABLE UNDER U.S. COPYRIGHT LAWS.

ALL DIMENSIONS ARE REFERENCE ONLY



MOUNTING CONFIGURATION

### SPECIFICATIONS:

IMPEDANCE: 50 OHMS  
 WORKING VOLTAGE: 500 VRMS @ SEA LEVEL  
 FREQUENCY RANGE: 0-4 GHZ  
 INTERFACE PER MIL-STD-348, SECTION 301.2

ITEM	DESCRIPTION	QTY	MATERIAL	FINISH
4	DIELECTRIC	1	TEFLON	NONE
3	CONTACT	1	PHOS BRONZE	GOLD
2	PRESS-FIT BODY	1	BRASS	SILVER
1	BODY	1	BRASS	SILVER

DIMENSIONS ARE IN INCHES AND [MILLIMETERS] UNLESS OTHERWISE NOTED TOLERANCES ARE: DECIMALS DIAMETER

DRAWN	C. ZUNIGA	8/13/99
CHECKED	<i>[Signature]</i>	8/16/99
APPROVALS	C. ZUNIGA	8/13/99

**RF connectors**  
 DIVISION OF RF INDUSTRIES, LTD.

**RFB-1115-S**

BNC FEMALE 4 HOLE FLANGE

7610 MIRAMAR RD  
 SAN DIEGO, CA 92126  
 (858) 549-6340  
 (858) 549-6345 FAX

SIZE	CABLE GROUP	DWG NO.	REV
A	N/A	9229	A
SCALE:	2:1	CAD FILE	13ARC B
SHEET	1	OF	1