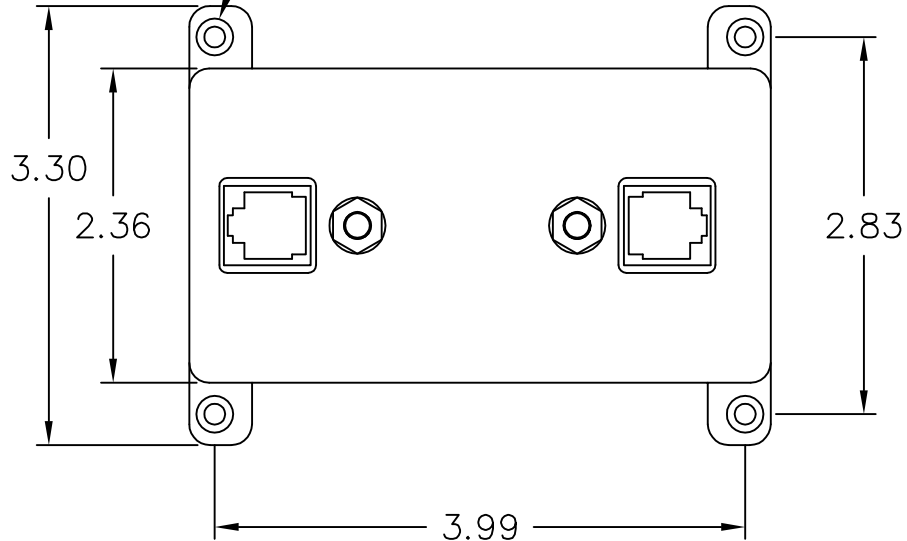
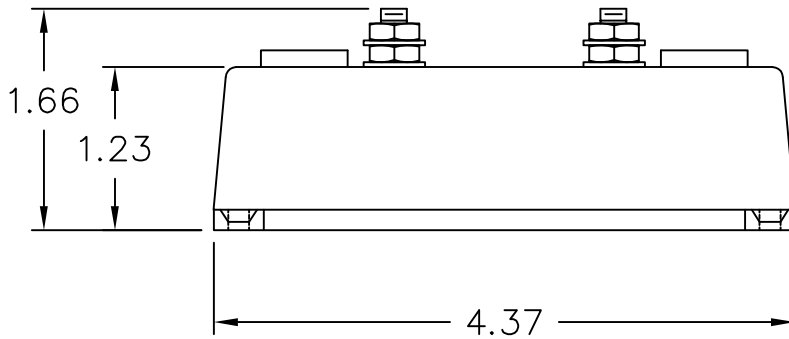


Countersink Mounting Hole  
for #6 Screw (4-Places)




TOP VIEW



SIDE VIEW

ALL DIMENSIONS IN INCHES

				SIZE	TITLE:			
				A	Detail: HGLN-CAT5-HP / HGLN-CAT5EJW			
REV	ECN No.	DATE	DESCRIPTION	DRAWN BY	K.Burgner	12/01/04	DRAWING No.	REV
				ORIGINATOR	K.Burgner	12/01/04	F596	A
				APPROVAL	K.Burgner	12/01/04	PART No.	— — —
				SCALE NTS	SHEET 1/1	MATERIAL	FILE No. F596-01	
<small>Website: www.L-com.com Tel: 1-800-343-1455 Copyright © 2009 L-com, Inc. All rights reserved.</small>								