

SMALL-CAPKIT



Female End Cap Assembly for 4.3-10 series and 4.1-9.5 Din, work torque 5-8N/M.

Product Classification

Product Type Wireless and radiating connector
Product Brand HELIAX®

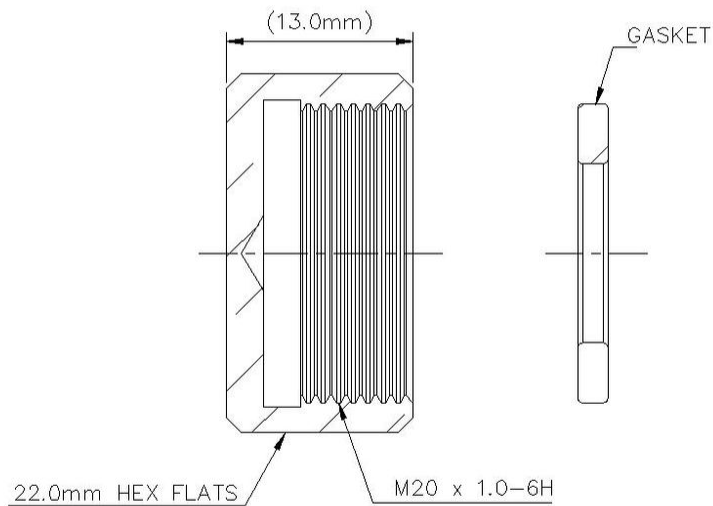
Dimensions

Length 12.95 mm | 0.51 in
Diameter 22.1 mm | 0.87 in

Outline Drawing

SMALL-CAPKIT

4.3-10/4.1-9.5 FEMALE END CAP ASSEMBLY



Mechanical Specifications

Coupling Nut Proof Torque	8 N-m 70.806 in lb
Mechanical Shock Test Method	IEC 60068-2-27

Environmental Specifications

Operating Temperature	-55 °C to +85 °C (-67 °F to +185 °F)
Storage Temperature	-65 °C to +125 °C (-85 °F to +257 °F)
Attenuation, Ambient Temperature	20 °C 68 °F
Average Power, Ambient Temperature	40 °C 104 °F
Average Power, Inner Conductor Temperature	100 °C 212 °F
Corrosion Test Method	IEC 60068-2-11

SMALL-CAPKIT

Immersion Depth	1 m
Immersion Test Mating	Mated
Immersion Test Method	IEC 60529:2001, IP68
Moisture Resistance Test Method	IEC 60068-2-3
Thermal Shock Test Method	IEC 60068-2-14
Vibration Test Method	IEC 60068-2-6

Packaging and Weights

Weight, net 17.98 g | 0.04 lb

Regulatory Compliance/Certifications

Agency	Classification
CHINA-ROHS	Below maximum concentration value
ISO 9001:2015	Designed, manufactured and/or distributed under this quality management system
REACH-SVHC	Compliant as per SVHC revision on www.commscope.com/ProductCompliance
ROHS	Compliant



* Footnotes

Immersion Depth Immersion at specified depth for 24 hours